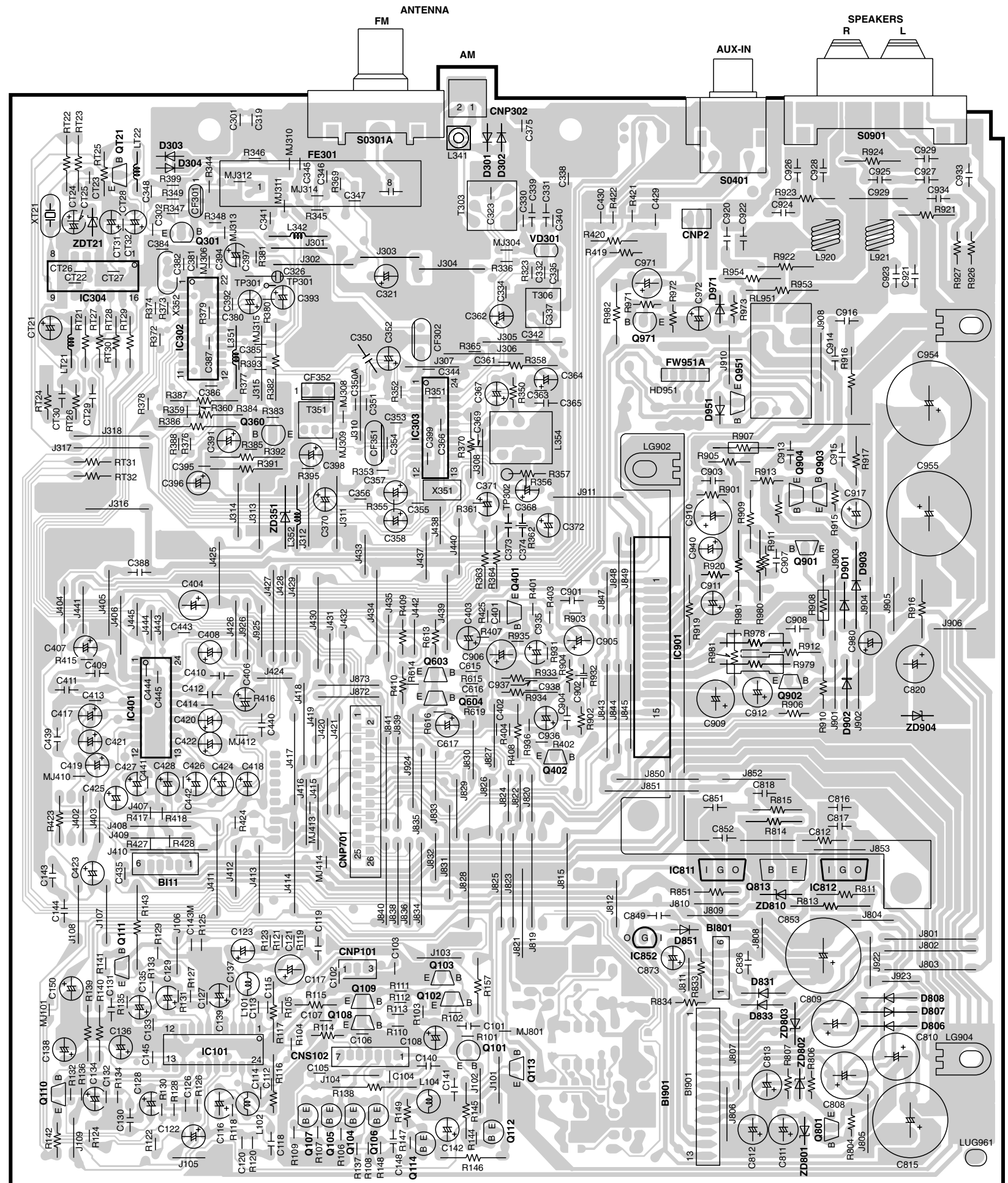
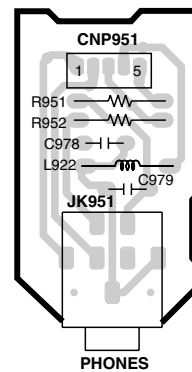
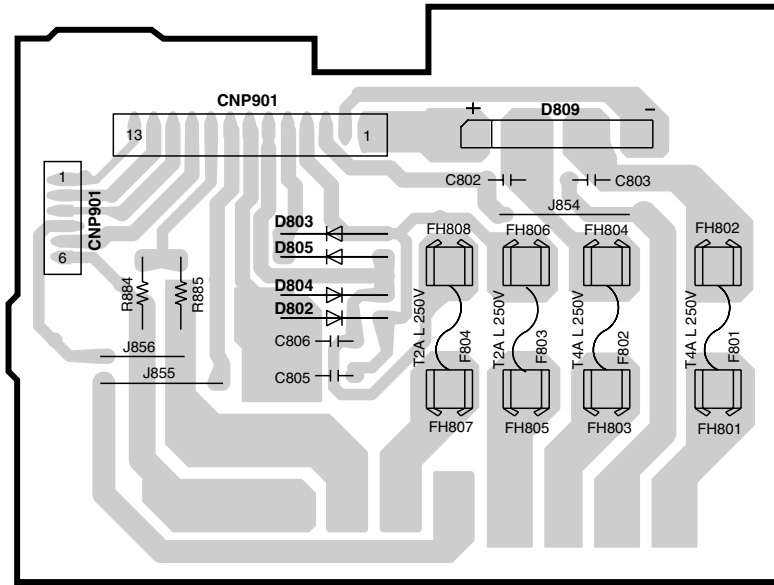
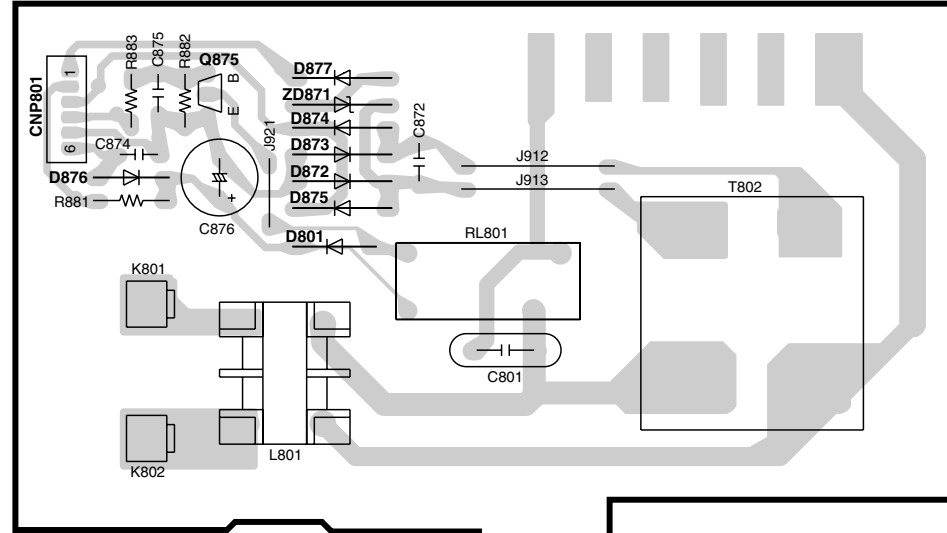


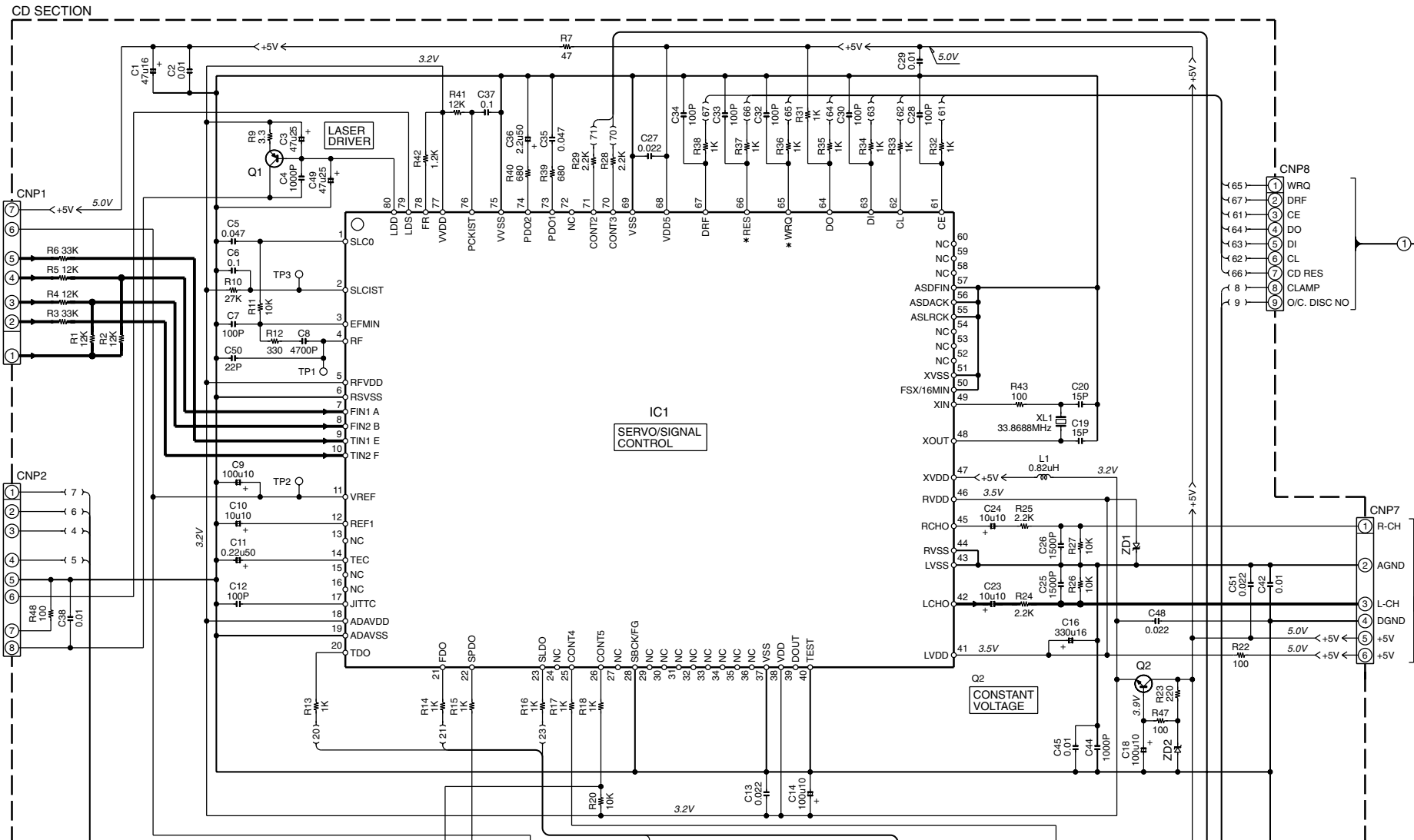
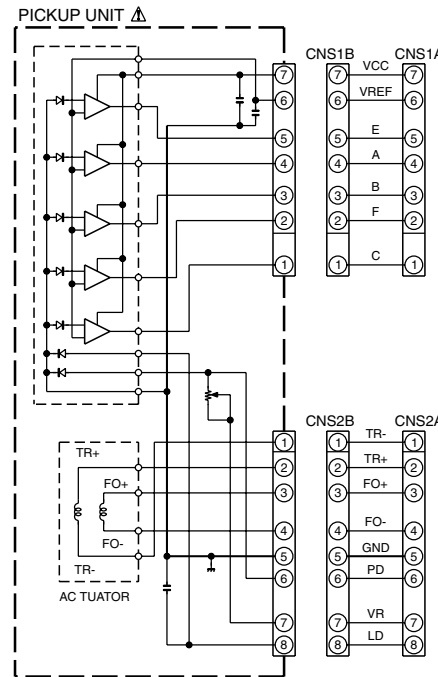
# PC BOARD(Component side view)



Refer to the schematic diagram for the value of resistors and capacitors.

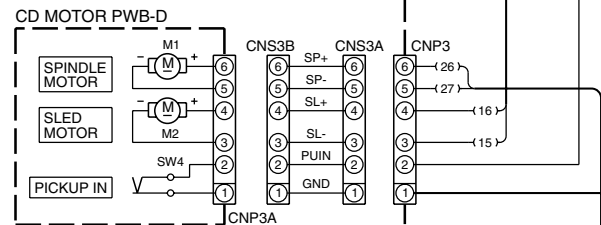
The DC voltage is an actual reading measured with a high impedance type voltmeter with a cassette loaded at playback mode. The measurement value may vary depending on the measuring instruments used or on the product. Bias circuit DC voltage is measured while in the record mode.

DOLBY and the double-D symbol are trademarks of Dolby Laboratories Licensing Corporation. Noise reduction circuit made under license from Dolby Laboratories Licensing Corporation.



**CAUTION:** For continued safety, replace safety critical components only with manufacturer's recommended parts (refer to parts list).  $\Delta$  indicates safety critical components. For continued protection against risk of fire, replace only with same type and rating fuse(s). To reduce the risk of electric shock, leakage-current or resistance measurements shall be carried out (exposed parts are acceptably insulated from the supply circuit) before the appliance is returned to the customer.

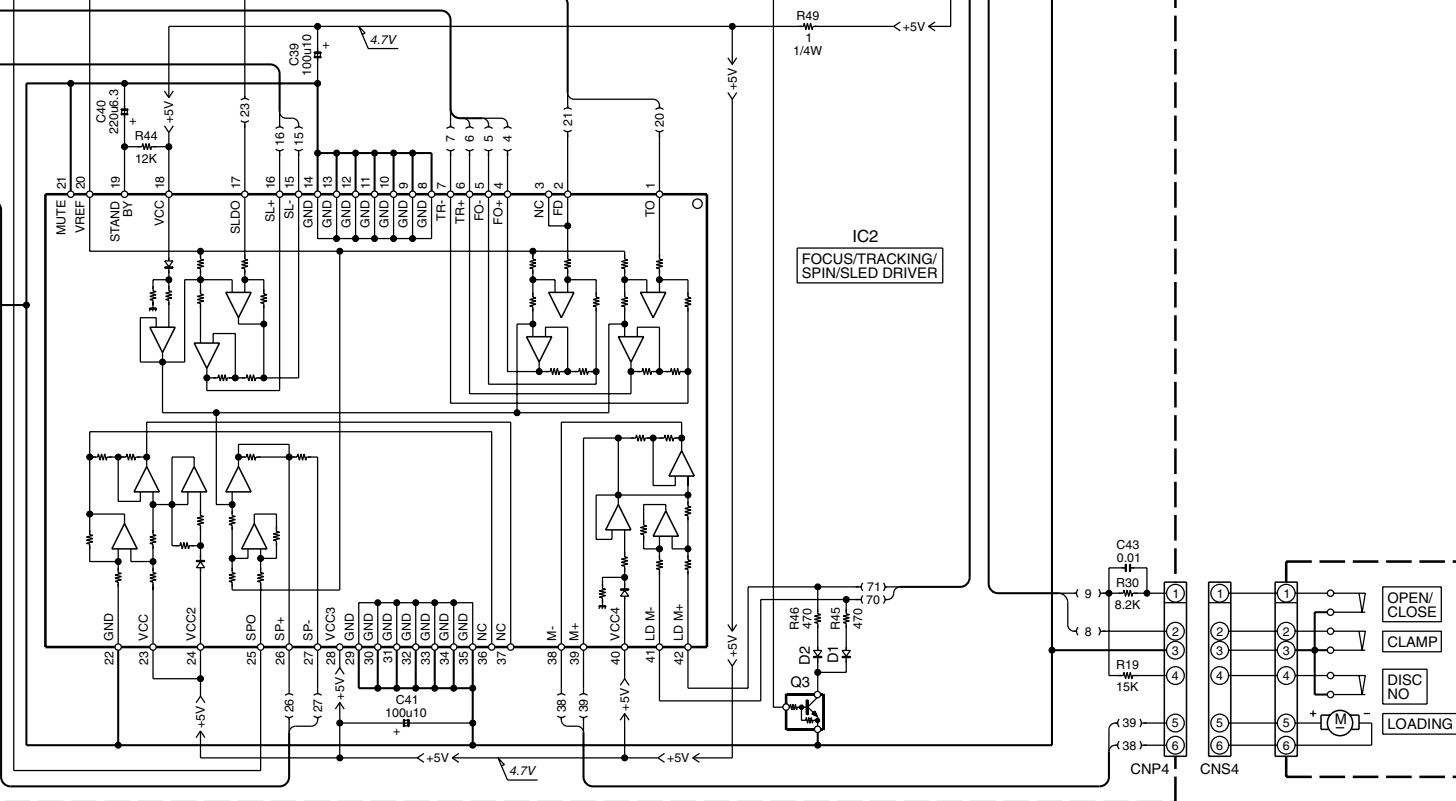
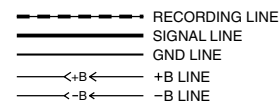
The DC voltage is an actual reading measured with a high impedance type voltmeter. The measurement value may vary depending on the measuring instruments used or on the product. Refer to the voltage during PLAY unless otherwise specified; The value shown in ( ) is the voltage measured at the moment of STOP.

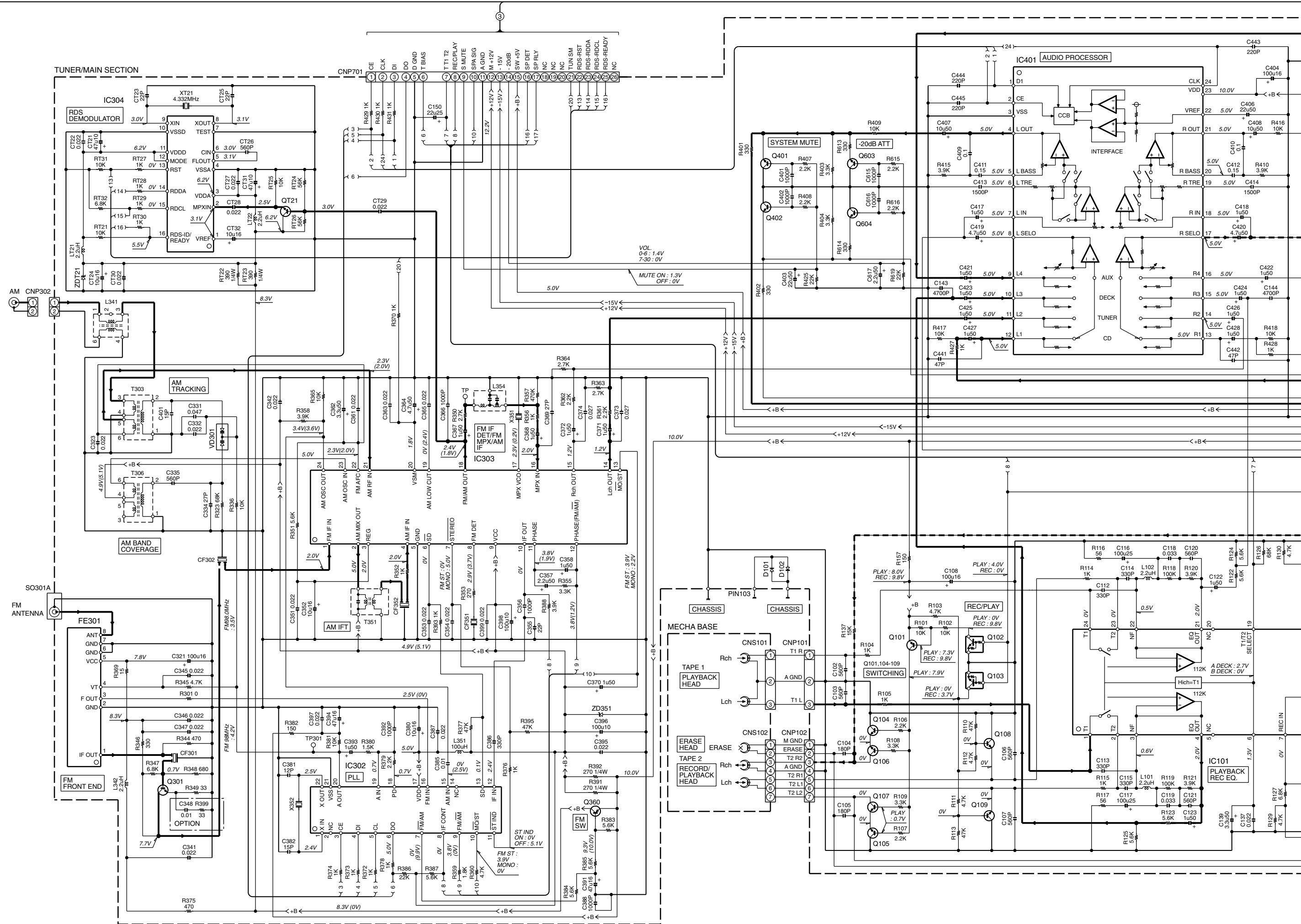


The DC voltage is an actual reading measured with a high impedance type voltmeter as the AM/FM signal generator is specified to the conditions as shown in the list below. The measurement value may vary depending on the measuring instruments used or on the product. The value shown in ( ) is actual reading measured in the AM mode.

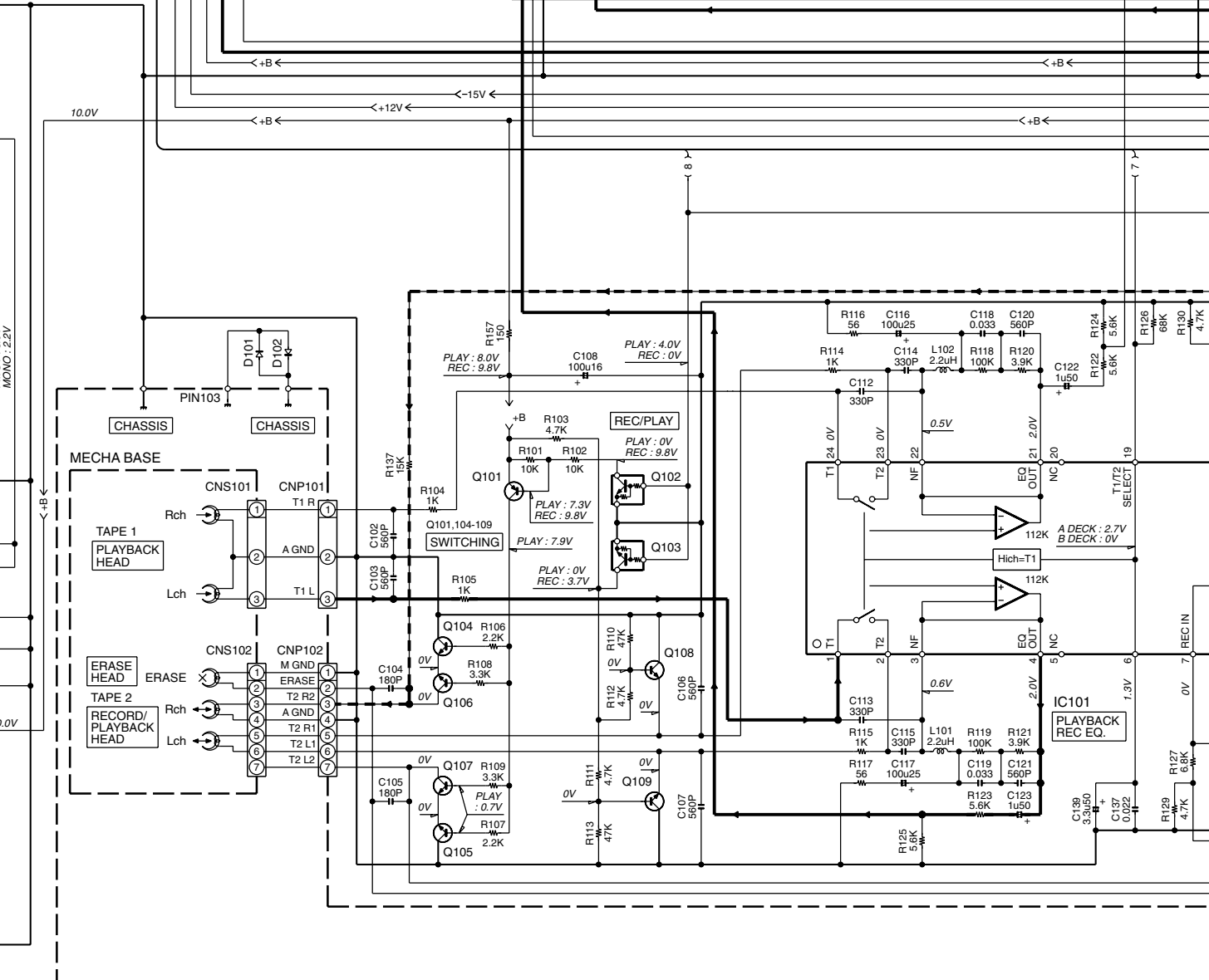
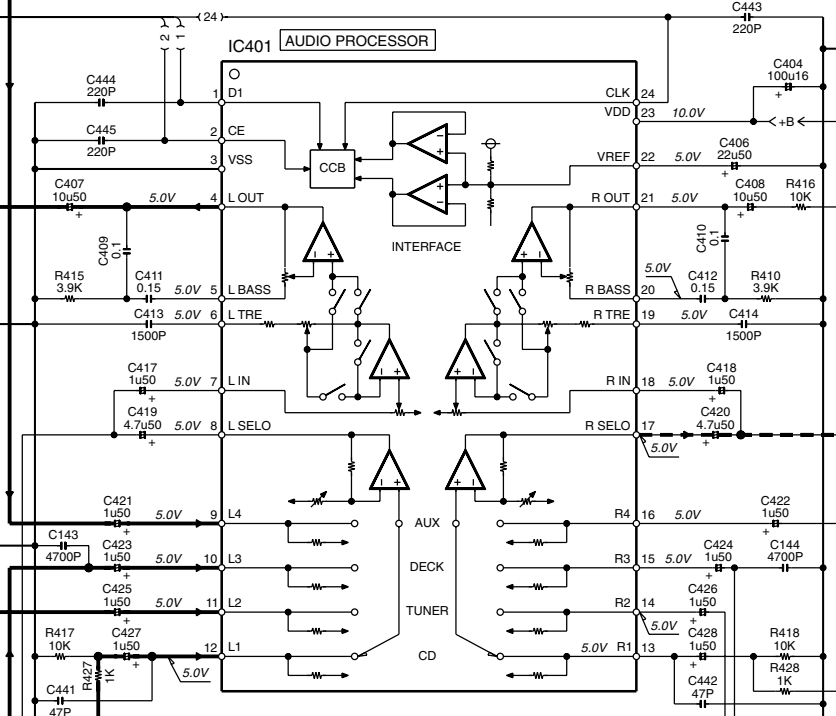
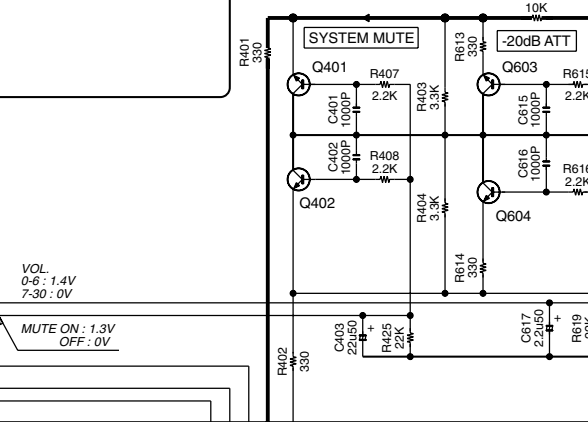
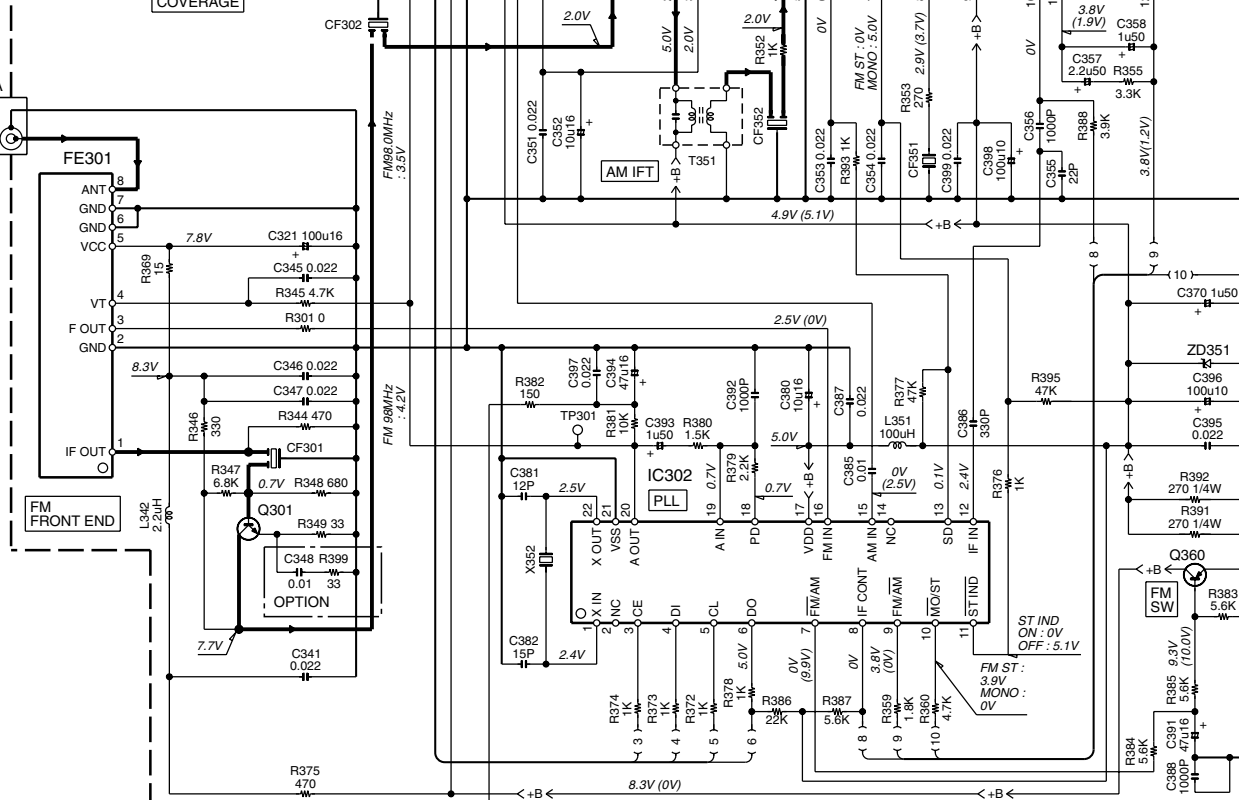
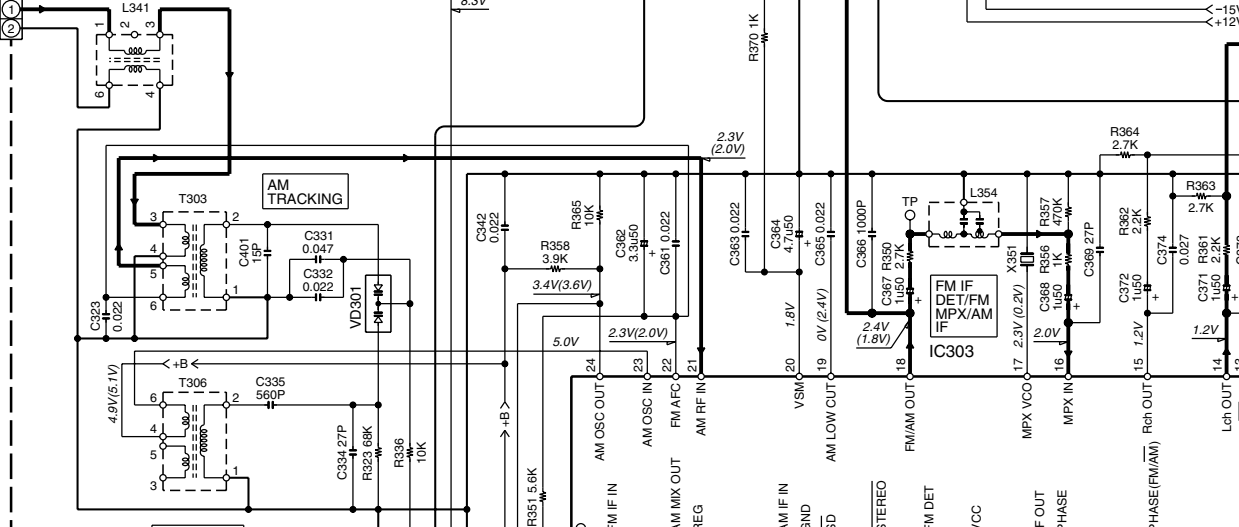
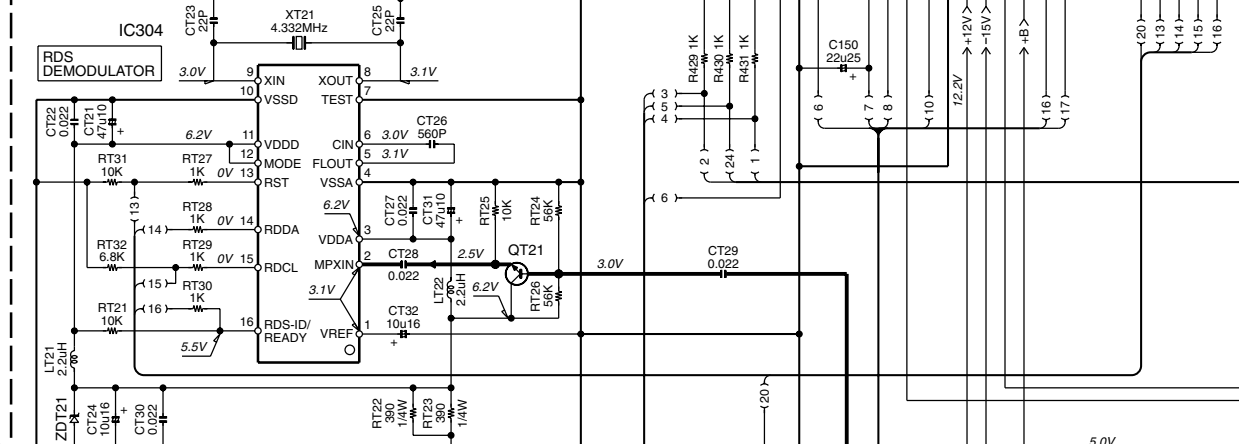
MODE	CARRIER	MODULATION		ANT INPUT
		FREQUENCY	DEVIATION	
FM	98MHz	1kHz	STEREO 67.5kHz 7.5kHz(Pilot)	60dB
AM	1000(999)kHz	400Hz	MONO 30% MOD	60dB

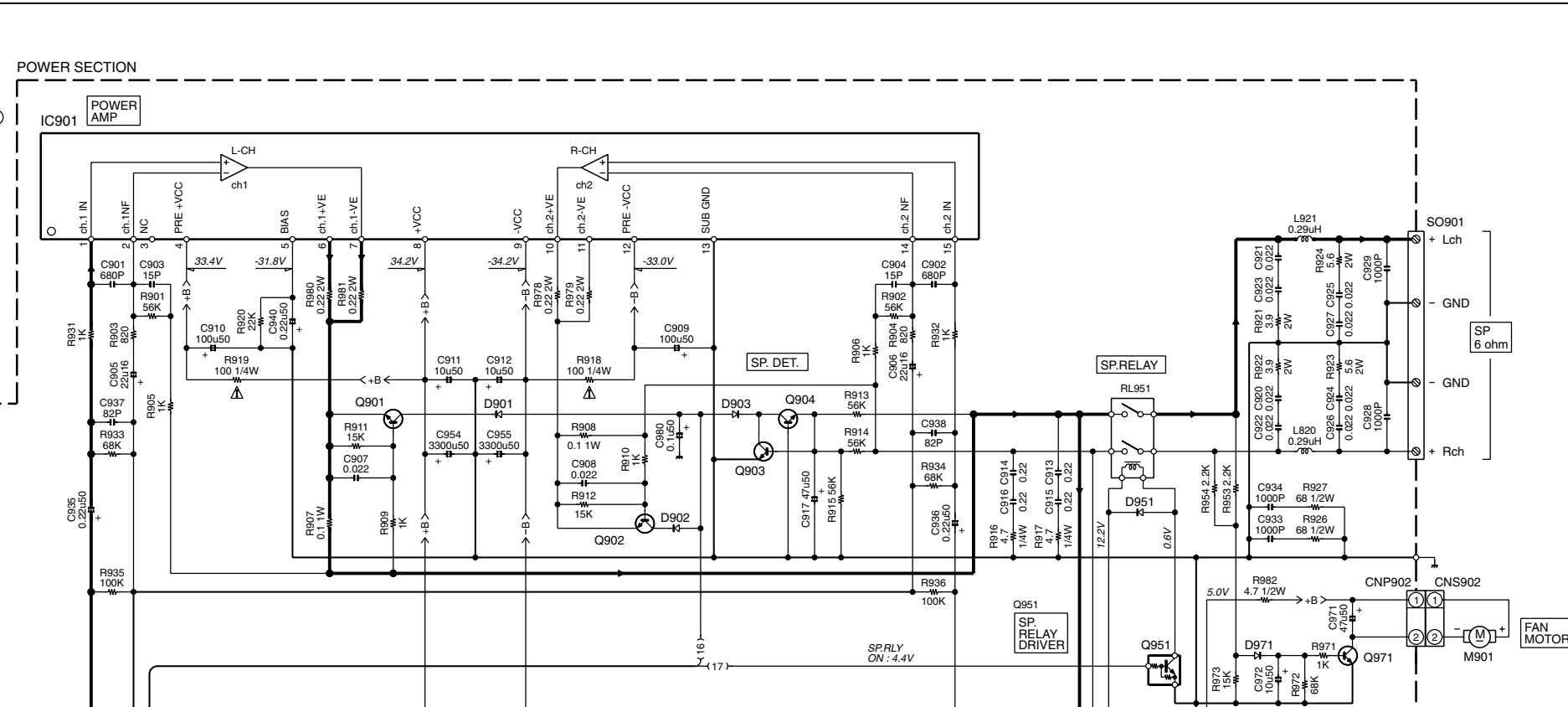
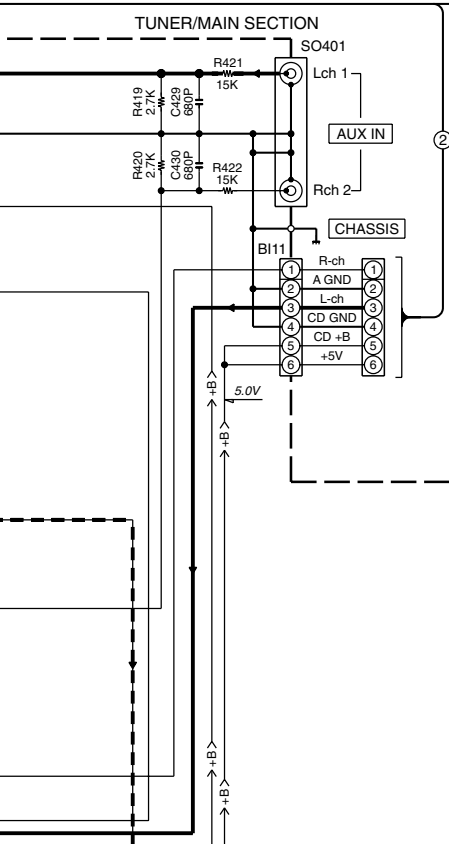
- IC1 : LC78645E
- IC2 : M63001FP
- Q1 : KTA1266GR
- Q2 : KTC3203Y
- Q3 : KRC102M
- D1,2 : 1SS133
- ZD1 : MTZJ3R3B
- ZD2 : MTZJ3R9B



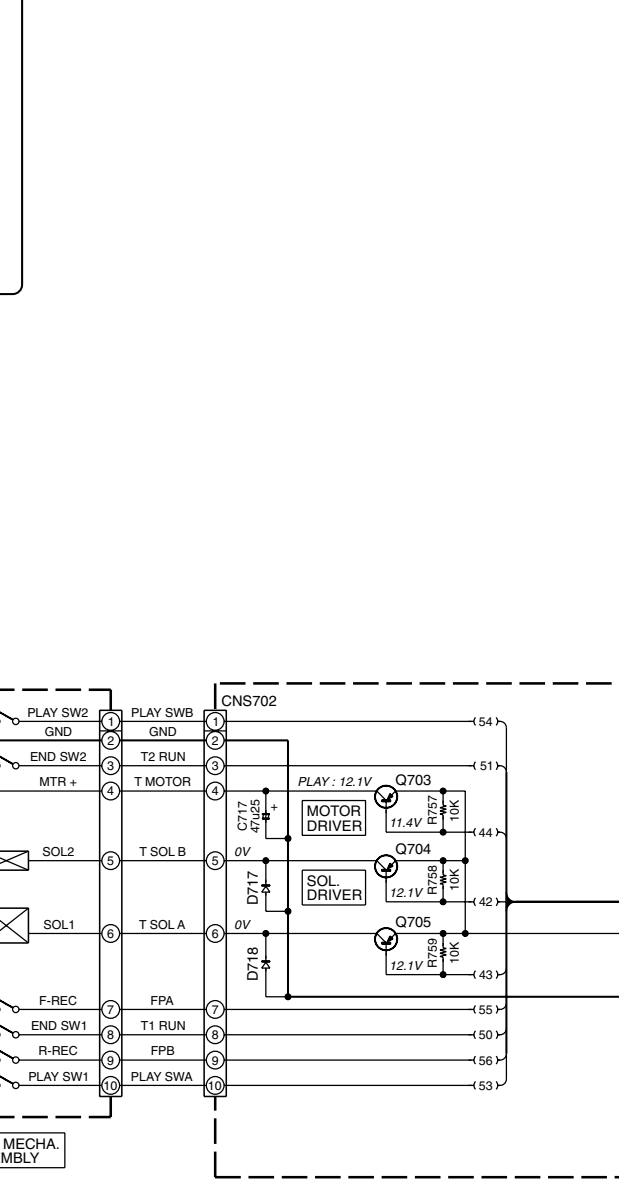
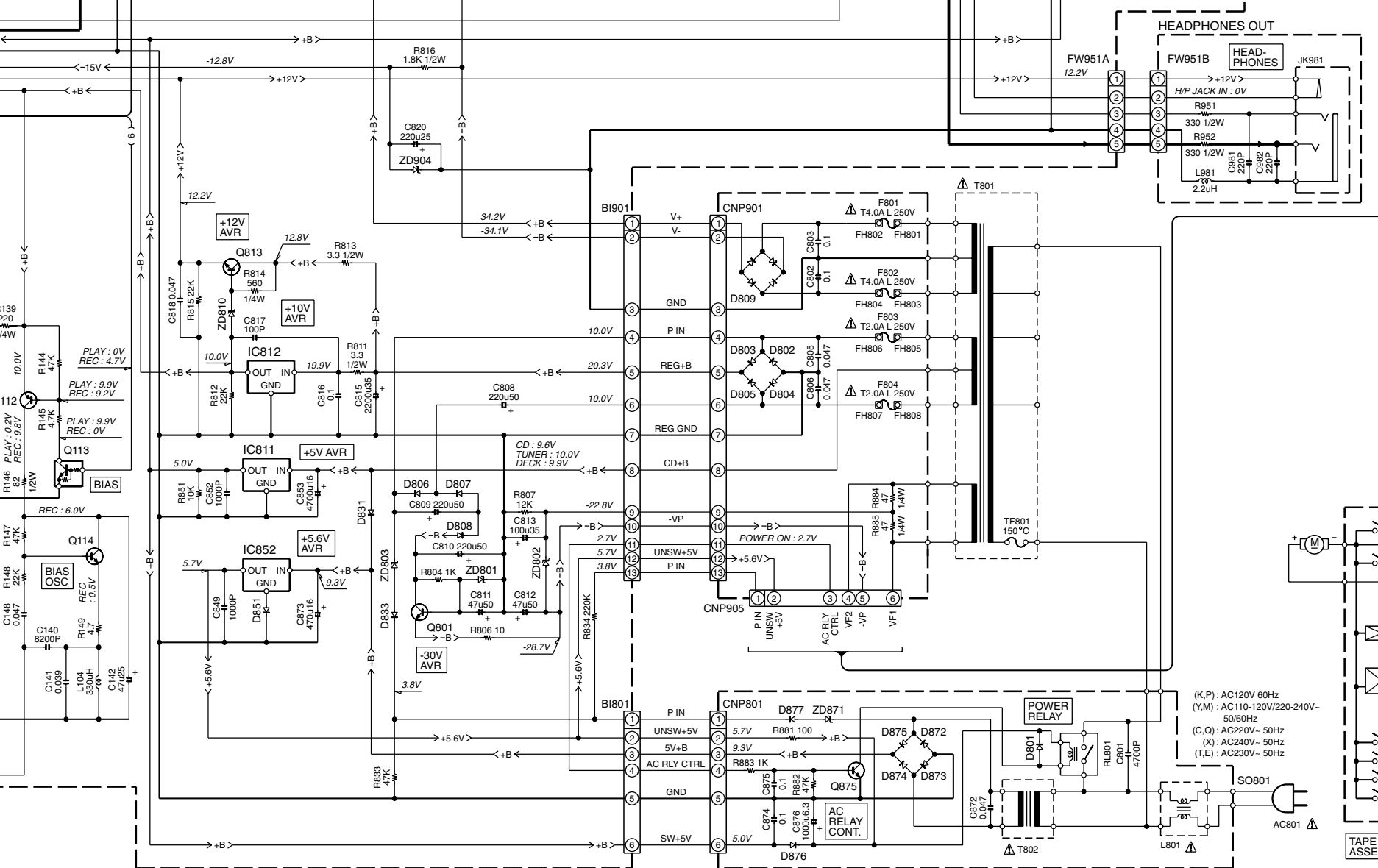
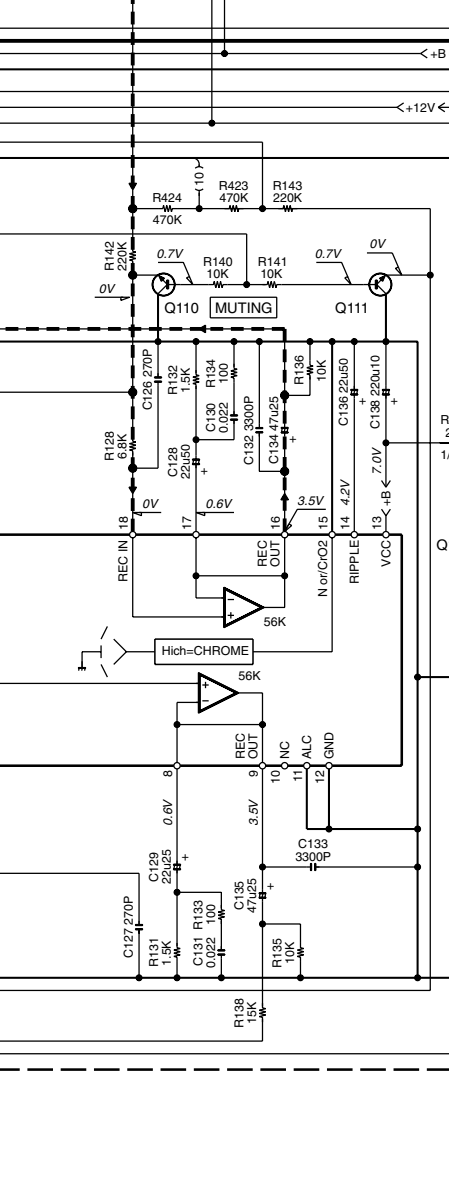


TUNER/MAIN SECTION

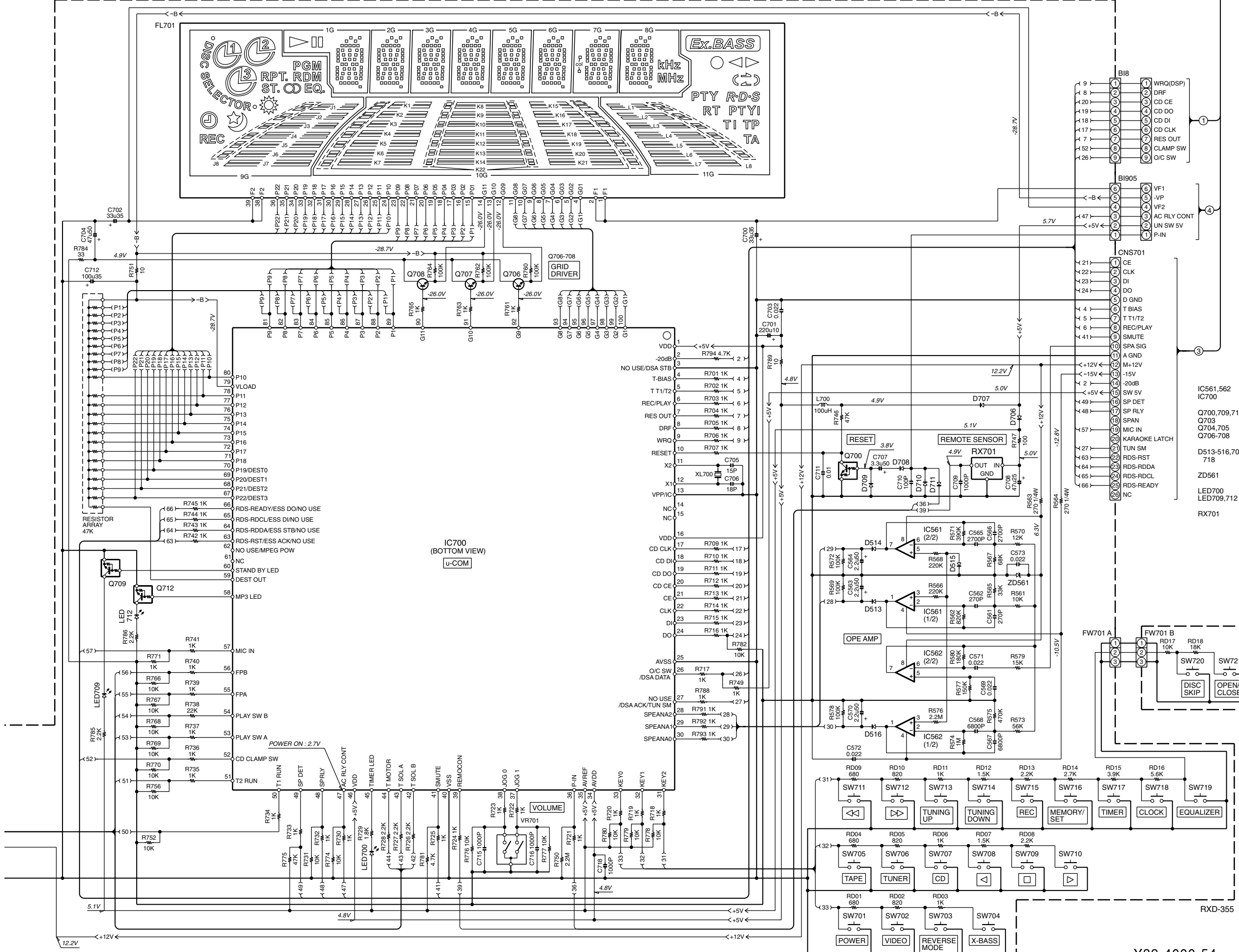




IC101	: AN7345K
IC302	: LC72131
IC303	: LA1832S
IC304	: LC72723M
IC401	: LC75341
IC811,852	: 7805AP
IC812	: 7810AP
IC901	: STK402-070(2ch)
FE301	: S0012AW
Q101,360	: KTA1266GR
Q102,103,113	: KRC104M
Q104-107	: C1845F
Q108-111,401,402,603, 804,901-904	: KTC3199GR
Q112	: A1015GR
Q114,971	: KTC3203Y
Q301	: C390-0
Q801	: KTA1274Y
Q813	: KTC2026
Q875	: KTC8133GR
Q951	: KRC107
QT21	: KTC3199GR
D101,102,801,831,833, 851,876,877,901-903, 951,971	: 1S133
D802-808,872-875	: 1N4004S
D809	: ??
ZD351	: DZ5R1BSB
ZD801	: DZ330BSC
ZD802	: DZ6R2BSA
ZD803	: DZ110BSB
ZD810	: DZ2R4BSB
ZD871	: 4R3BSC
ZD904	: DZ130BSB
ZDT21	: DZ5R1BSB
VD301	: KDV147B



DISPLAY SECTION

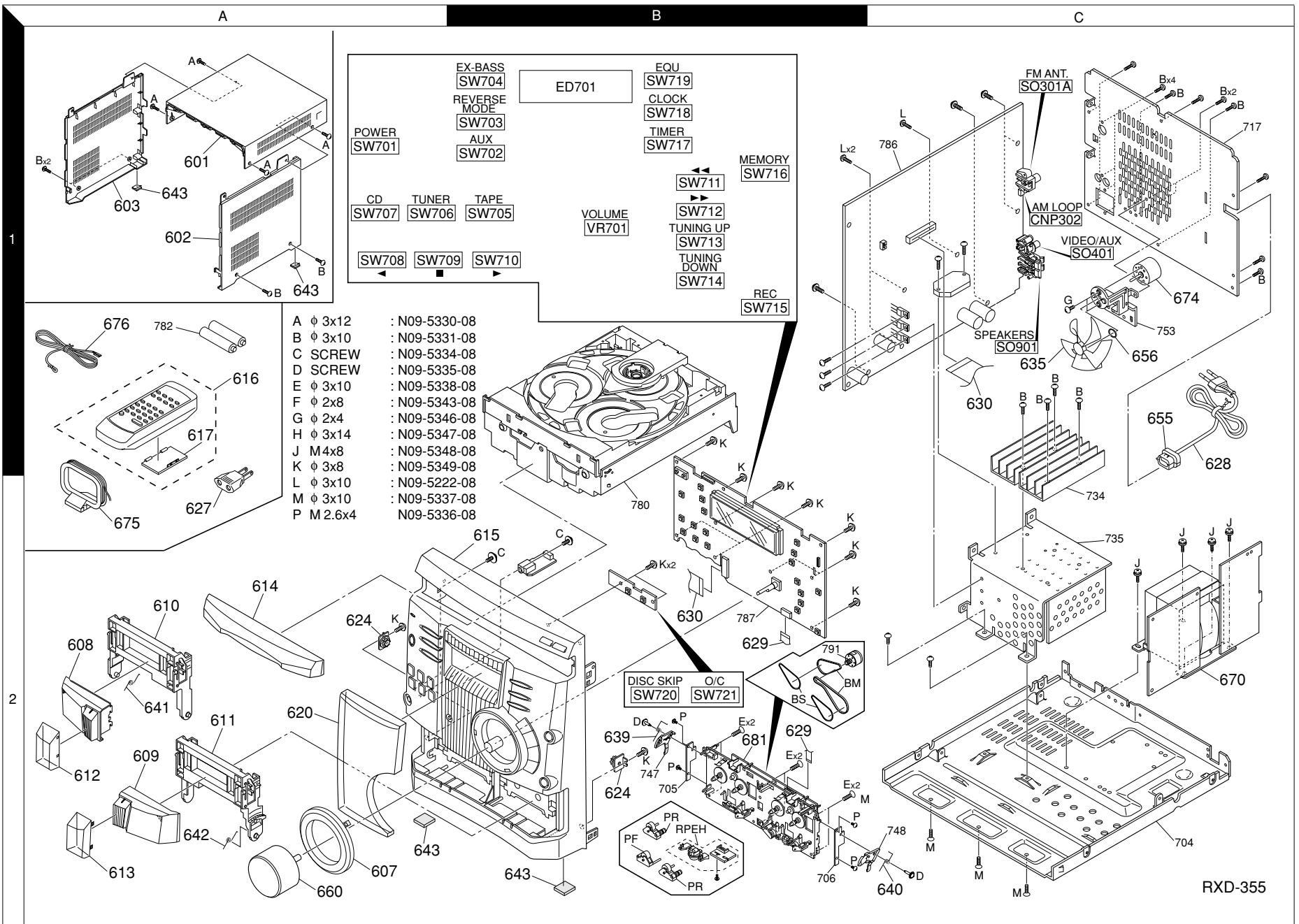


- IC561,562 : KIA4558
- IC700 : UPD780206
- Q700,709,712 : KRC102M
- Q703 : KTA1273Y
- Q704,705 : KTA1271Y
- Q706-708 : KTC3199GR
- D513-516,706-711,717,718 : 1SS133
- ZD561 : 6R2B
- LED700 : YELLOW
- LED709,712 : RED
- RX701 : LN63H380A

**RXD-355**  
**KENWOOD**

Y39-4000-54

Parts with exploded numbers larger than 700 are not supplied.



EXPLODED VIEW

RXD-355

\* New Parts  
Parts without **Parts No.** are not supplied.  
Les articles non mentionnés dans le **Parts No.** ne sont pas fournis.  
Teile ohne **Parts No.** werden nicht geliefert.

①

Ref. No	Add-ress	New Parts	Parts No.	Description	Desti-nation	Re-marks
<b>RXD-355</b>						
601	1C	*	A02-3014-08	CABINET(TOP)	GCAB-1195AWSA	
602	1C	*	A02-3015-08	CABINET(R)	GITAS0092AWSA	
603	1C	*	A02-3016-08	CABINET(L)	GITAS0075AWSA	
607	2C	*	A21-3966-08	DRESS RING(KNOB)	HDECQ0703AWSB	
608	2C	*	A21-3958-08	CASSETTE LID(L)	GCOVA1365AWSA	
609	2C	*	A21-3959-08	CASSETTE LID(R)	GCOVA1366AWSA	
610	2C	*	A53-2251-08	CASS HOLDER(L)	GDORF0104AWSA	
611	2C	*	A53-2252-08	CASS HOLDER(R)	GDORF0105AWSA	
612	2C	*	A53-2254-08	FG(CAS L)	HDECQ0700AWSA	EE2TMX
612	2C	*	A53-2282-08	FG(CAS L)	HDECQ0700AWSB	E1E3
612	2C	*	A53-2282-08	FG(CAS L)	HDECQ0700AWSB	M1X1Y1
613	2C	*	A53-2255-08	FG(CAS R)	HDECQ0701AWSA	EE2MXT
613	2C	*	A53-2283-08	FG(CAS R)	HDECQ0701AWSB	E1E3
613	2C	*	A53-2283-08	FG(CAS R)	HDECQ0701AWSB	M1X1Y1
614	2C	*	A60-2090-08	PANEL(CD)	GCOVA1376AWSA	
615	2D	*	A60-0000-08	PANEL ASSY	CAB3584AASY2	MX
615	2D	*	A60-0000-08	PANEL ASSY	CAB3595AASY2	E1E3
615	2D	*	A60-0000-08	PANEL ASSY	CAB3596AASY2	M1X1Y1
615	2D	*	A60-2124-08	PANEL ASSY	CAB3583AASY2	EE2T
616	1C	*	A70-1531-08	REMOTE CONTROL	RRMCG0273AWSA	MM1XX1
616	1C	*	A70-1537-08	REMOTE CONTROL	RRMCG0274AWSA	EE1E2
616	1C	*	A70-1537-08	REMOTE CONTROL	RRMCG0274AWSA	E3T
620	2C	-	-	FL PANEL	HDECQ0740AWSA	E3T
620	2C	-	-	FL PANEL	HDECQ0764AWSB	MM1XX1
620	2C	-	-	FL PANEL	HDECQ0764AWSB	Y1
620	2C	-	B10-3750-08	FL PANEL	HDECQ0740AWSA	EE1E2
-	-	*	B60-5009-08	INST MANUAL(5)	TINSZ0670AWZZ	EE3T
-	-	*	B60-5010-08	INST MANUAL(EN)	TINSE0370AWZZ	EE2E3T
-	-	*	B60-5011-08	INST MANUAL(4)	TINSZ0671AWZZ	E2E3
-	-	*	B60-5048-08	INST MANUAL(EN)	TINSE0372AWZZ	MM1XX1
-	-	*	B60-5048-08	INST MANUAL(EN)	TINSE0372AWZZ	Y1
-	-	*	B60-5049-08	INST MANUAL(A/T)	INSZ0688AWZZ	MM1XX1
-	-	*	B60-5049-08	INST MANUAL(A/T)	NSZ0688AWZZ	Y1
624	2C	-	D39-0355-08	DAMPER	MLIFP0008AWZZ	
BM	2D	-	D16-0780-08	MAIN BELT	FF19N-11	
BS1	2D	-	D16-0782-08	SUB BELT	FF19S-51	
BS2	2D	-	D16-0781-08	SUB BELT	FF19S-12	
PF	2D	-	D14-0821-08	PINCH ASSY	F514-134	
PR1	2D	-	D14-0822-08	PINCH ASSY	F514-135	
PR2	2D	-	D14-0820-08	PINCH ASSY	F514-133	
RPEH	2D	-	T39-0046-08	ROTATION HEAD	F513-853	
627	2C	*	E03-0115-05	AC PLUG	QPLGA0004AWZZ	
628	1E	*	E30-2881-08	AC POWER CORD	QACCE0008AW00	
629	2D	*	E35-2991-08	FFC WIRE10P	QCNWN1913AWZZ	
630	1E,2D	*	E35-3070-08	FFC WIRE26P	QCNWN1915AWZZ	
635	1E	-	F09-0163-08	FAN	NFANP0001AWZZ	
639	2D	-	G01-4280-08	SPRING	MSPRD0109AWFJ	
640	2E	-	G01-4281-08	SPRING	MSPRD0110AWFJ	
641	2C	-	G01-4293-08	SPRING	MSPRD0151AWFJ	
642	2C	-	G01-4294-08	SPRING	MSPRD0152AWFJ	
643	2C,2D	-	G13-2514-08	CUSHION(FOOT)	PCUSG0022AWZZ	

L : Scandinavia K : USA P : Canada R : Mexico C : China I : Malaysia  
Y : PX(Far East,Hawaii) T : England E : Europe G : Germany V : China(Shanghai)  
Y : AAFES(Europe) X : Australia Q : Russia H : Korea M : Other Areas ⚠ indicates safety critical components .

\* New Parts  
Parts without **Parts No.** are not supplied.  
Les articles non mentionnés dans le **Parts No.** ne sont pas fournis.  
Teile ohne **Parts No.** werden nicht geliefert.

②

Ref. No	Add-ress	New Parts	Parts No.	Description	Desti-nation	Re-marks
-	-	-	H10-7771-08	POLY FOAM FIXTU	SPAKA0307AWZZ	
-	-	-	H10-7772-08	P-ADD(TOP)	SPAKA0107AWZZ	
-	-	-	H10-7773-08	P-ADD(BTM)	SPAKA0108AWZZ	
-	-	-	H25-1706-08	BAG(UNIT)	SSAKH0061AWZZ	
-	-	-	H25-1707-08	BAG CAUTION	CAUT1513A	
-	-	-	H25-1708-08	BAG(ACCES))	SSAKA0007AWZZ	
-	-	*	H50-0000-08	ITEM CARTON	SPAKC1202AWZZ	MX
-	-	*	H50-0000-08	ITEM CARTON	SPAKC1208AWZZ	M1X1Y1
-	-	*	H50-0000-08	ITEM CARTON	SPAKC1231AWZZ	MX
-	-	*	H50-0000-08	ITEM CARTON	SPAKC1234AWZZ	M1X1Y1
-	-	*	H50-4218-08	ITEM CARTON	SPAKC0378AWZZ	
-	-	*	H50-4227-08	ITEM CARTON	SPAKC1200AWZZ	ET
-	-	*	H50-4228-08	ITEM CARTON	SPAKC1278AWZZ	ET
-	-	*	H50-4238-08	ITEM CARTON	SPAKC1201AWZZ	E2
-	-	*	H50-4239-08	ITEM CARTON	SPAKC1206AWZZ	E1
-	-	*	H50-4240-08	ITEM CARTON	SPAKC1207AWZZ	E3
655	2E	-	J42-0338-08	POWER CORD BUSH	LBSHC0002AWZZ	
656	1E	-	J69-0223-08	RING(FAN)	CSPR1431C	
660	2C	-	K29-8047-08	KNOB (VOLUME)	JKNBZ0794AWSB	
A	-	-	N09-5330-08	MACHINE SCREW	XEBSD30P12000	
B	-	-	N09-5331-08	MACHINE SCREW	XJBSD30P10000	
C	-	-	N09-5334-08	MACHINE SCREW	LX-BZ2222AXZZ	
D	-	-	N09-5335-08	MACHINE SCREW	LX-HZ0009AWFFD	
E	-	-	N09-5338-08	MACHINE SCREW	XESSD30P10000	
F	-	-	N09-5343-08	MACHINE SCREW	XBPSD20P08000	
G	-	-	N09-5346-08	MACHINE SCREW	XBBSD20P04000	
H	-	-	N09-5347-08	MACHINE SCREW	XJBSD30P14000	
J	-	-	N09-5348-08	MACHINE SCREW	XHBSD40P08000	
K	-	-	N09-5349-08	MACHINE SCREW	XEBSD30P08000	
L	-	-	N09-5222-08	MACHINE SCREW	LX-JZ0010AFFD	
M	-	-	N09-5337-08	MACHINE SCREW	XJSSD30P10000	
P	-	-	N09-5336-08	MACHINE SCREW	XHBSD26P04000	
674	1E	-	T41-0142-08	MOTOR(FAN)	RMOTV0027AWZZ	
675	2C	-	T90-0879-08	LOOP ANTENNA	QANTL0008AWZZ	
676	2C	-	T90-0883-08	FM LEAD ANTENNA	FANT1535A	
681	2D	-	W04-0019-08	MECHANISM(CAS)	KMECB0020AWZZ	
FL701	-	-	NA11MM36	FL TUBE	VVKNA11MM36-1	
LED700	-	-	B30-2613-08	LED(YELLOW)	VHP3105UYT1-1T	
LED712	-	-	B30-2614-08	LED	VHP31URT21+-1+	
C1	-	-	CE04KW1C470M	ELECTRO	47UF	16WV
C2	-	-	CK73FB1C103K	CHIP C	0.010UF	K
C3	-	-	CE04KW1E470M	ELECTRO	47UF	25WV
C4	-	-	CK73EB1H102K	CHIP C	1000PF	K
C5	-	-	CQ93FMG1H473J	MYLAR	0.047UF	J
C6	-	-	CK45FB1C104K	CERAMIC	0.10UF	K
C7	-	-	CC45FSL1H101J	CERAMIC	100PF	J
C8	-	-	CK73EB1H472K	CHIP C	4700PF	K
C9	-	-	CE04KW1A101M	ELECTRO	100UF	10WV
C10	-	-	CE04KW1A100M	ELECTRO	10UF	10WV
C11	-	-	CE04KW1HR22M	ELECTRO	0.22UF	50WV

L : Scandinavia K : USA P : Canada R : Mexico C : China I : Malaysia  
Y : PX(Far East,Hawaii) T : England E : Europe G : Germany V : China(Shanghai)  
Y : AAFES(Europe) X : Australia Q : Russia H : Korea M : Other Areas ⚠ indicates safety critical components .

PARTS LIST

RXD-355

\* New Parts  
Parts without **Parts No.** are not supplied.  
Les articles non mentionnés dans le **Parts No.** ne sont pas fournis.  
Teile ohne **Parts No.** werden nicht geliefert.



Ref. No	Add-ress	New Parts	Parts No.	Description	Desti-nation	Re-marks
C12			CC45FSL1H101J	CERAMIC	100PF	J
C13			CK73EB1E223K	CHIP C	0.022UF	K
C14			CE04KW1A101M	ELECTRO	100UF	10WV
C16			CE04KW1C331M	ELECTRO	330UF	16WV
C18			CE04KW1A101M	ELECTRO	100UF	10WV
C19_20			CC73ECH1H150J	CHIP C	15PF	J
C23_24			CE04KW1A100M	ELECTRO	10UF	10WV
C25_26			CK73EB1H152K	CHIP C	1500PF	K
C27			CK73EB1E223K	CHIP C	0.022UF	K
C28			CC73ECH1H101J	CHIP C	100PF	J
C29			CK73FB1C103K	CHIP C	0.010UF	K
C30			CC73ECH1H101J	CHIP C	100PF	J
C32_34			CC73ECH1H101J	CHIP C	100PF	J
C35			CQ93FMG1H473J	MYLAR	0.047UF	J
C36			CE04KW1H2R2M	ELECTRO	2.2UF	50WV
C37			CK45FB1C104K	CERAMIC	0.10UF	K
C38			CK73FB1C103K	CHIP C	0.010UF	K
C39			CE04KW1A101M	ELECTRO	100UF	10WV
C40			CE04KW0J221M	ELECTRO	220UF	6.3WV
C41			CE04KW1A101M	ELECTRO	100UF	10WV
C42_43			CK73FB1C103K	CHIP C	0.010UF	K
C44			CK73EB1H102K	CHIP C	1000PF	K
C45			CK73FB1C103K	CHIP C	0.010UF	K
C48			CK45FF1H223Z	CERAMIC	0.022UF	Z
C49			CE04KW1E470M	ELECTRO	47UF	25WV
C50			CC45FSL1H220J	CERAMIC	22PF	J
C51			CK73EB1E223K	CHIP C	0.022UF	K
C102_103			CK73EB1H561K	CHIP C	560PF	K
C104_105			CK73EB1H181K	CHIP C	180PF	K
C106_107			CK73EB1H561K	CHIP C	560PF	K
C108			CE04KW1C101M	ELECTRO	100UF	16WV
C112-115			CK73EB1H331K	CHIP C	330PF	K
C116_117			CE04KW1E101M	ELECTRO	100UF	25WV
C118_119			CK45FB1H333K	CERAMIC	0.033UF	K
C120_121			CK73FB1H561K	CHIP C	560PF	K
C122_123			CE04KW1H010M	ELECTRO	1.0UF	50WV
C126_127			CC73ECH1H271J	CHIP C	270PF	J
C128			CE04KW1H220M	ELECTRO	22UF	50WV
C129			CE04KW1E220M	ELECTRO	22UF	25WV
C130_131			CK45FB1H223K	CERAMIC	0.022UF	K
C132_133			CK73EB1E332K	CHIP C	3300PF	K
C134_135			CE04KW1E470M	ELECTRO	47UF	25WV
C136			CE04KW1H220M	ELECTRO	22UF	50WV
C137			CK73EB1E223K	CHIP C	0.022UF	K
C138			CE04KW1A221M	ELECTRO	220UF	10WV
C139			CE04KW1H3R3M	ELECTRO	3.3UF	50WV
C140			C92-0248-08	MYLAR	8200PF	J
C141			CQ93FMG1H393J	MYLAR	0.039UF	J
C142			CE04KW1E470M	ELECTRO	47UF	25WV
C143-145			CK73EB1H472K	CHIP C	4700PF	K
C148			CQ93FMG1H473J	MYLAR	0.047UF	J
C150			CE04KW1E220M	ELECTRO	22UF	25WV
C321			CE04KW1C101M	ELECTRO	100UF	16WV
C323			CK73EB1E223K	CHIP C	0.022UF	K
C331			CK45FB1H473Z	CERAMIC	0.047UF	Z

L : Scandinavia K : USA P : Canada R : Mexico C : China I : Malaysia  
Y : PX(Far East,Hawaii) T : England E : Europe G : Germany V : China(Shanghai)  
Y : AAFES(Europe) X : Australia Q : Russia H : Korea M : Other Areas  $\Delta$  indicates safety critical components .

\* New Parts  
Parts without **Parts No.** are not supplied.  
Les articles non mentionnés dans le **Parts No.** ne sont pas fournis.  
Teile ohne **Parts No.** werden nicht geliefert.



Ref. No	Add-ress	New Parts	Parts No.	Description	Desti-nation	Re-marks
C332			CK73EB1E223K	CHIP C	0.022UF	K
C334			CC73ECH1H270J	CHIP C	27PF	J
C335			CK73EB1H561K	CHIP C	560PF	K
C339			CC73ECH1H270J	CHIP C	27PF	J
C341_342			CK73EB1E223K	CHIP C	0.022UF	K
C345-347			CK73EB1E223K	CHIP C	0.022UF	K
C346_347			CK73EB1E223K	CHIP C	0.022UF	K
C348			CK73EB1H103K	CHIP C	0.010UF	K
C348			CK73FB1C103K	CHIP C	0.010UF	K
C351			CK73EB1E223K	CHIP C	0.022UF	K
C352			CE04KW1C100M	ELECTRO	10UF	16WV
C353_354			CK73EB1E223K	CHIP C	0.022UF	K
C355			CC73ECH1H220J	CHIP C	22PF	J
C356			CK73EB1H102K	CHIP C	1000PF	K
C357			CE04KW1H2R2M	ELECTRO	2.2UF	50WV
C358			CE04KW1H010M	ELECTRO	1.0UF	50WV
C361			CK73EB1E223K	CHIP C	0.022UF	K
C362			CE04KW1H3R3M	ELECTRO	3.3UF	50WV
C363			CK73EB1E223K	CHIP C	0.022UF	K
C364			CE04KW1H4R7M	ELECTRO	4.7UF	50WV
C365			CK45FB1H223K	CERAMIC	0.022UF	K
C366			CK73EB1H102K	CHIP C	1000PF	K
C367_368			CE04KW1H010M	ELECTRO	1.0UF	50WV
C369			CC73ECH1H270J	CHIP C	27PF	J
C370-372			CE04KW1H010M	ELECTRO	1.0UF	50WV
C373_374			CK45FB1H273K	CERAMIC	0.027UF	K
C380			CE04KW1C100M	ELECTRO	10UF	16WV
C381			CC73ECH1H120J	CHIP C	12PF	J
C382			CC73ECH1H150J	CHIP C	15PF	J
C385			CK73FB1C103K	CHIP C	0.010UF	K
C386			CK73EB1H331K	CHIP C	330PF	K
C386			CK73EB1H331K	CHIP C	330PF	K
C387			CK73EB1E223K	CHIP C	0.022UF	K
C388			CK45FB1H102K	CERAMIC	1000PF	K
C391			CE04KW1C470M	ELECTRO	47UF	16WV
C392			CK73EB1H102K	CHIP C	1000PF	K
C393			CE04KW1H010M	ELECTRO	1.0UF	50WV
C394			CE04KW1C470M	ELECTRO	47UF	16WV
C395			CK73EB1C223K	CHIP C	0.022UF	K
C396			CE04KW1A101M	ELECTRO	100UF	10WV
C397			CK73EB1E223K	CHIP C	0.022UF	K
C398			CE04KW1A101M	ELECTRO	100UF	10WV
C399			CK73EB1E223K	CHIP C	0.022UF	K
C401			CC73ECH1H150J	CHIP C	15PF	J
C401_402			CK73EB1H102K	CHIP C	1000PF	K
C403			CE04KW1H220M	ELECTRO	22UF	50WV
C404			CE04KW1C101M	ELECTRO	100UF	16WV
C406			CE04KW1E220M	ELECTRO	22UF	25WV
C407_408			CE04KW1H100M	ELECTRO	10UF	50WV
C409_410			CQ93FMG1H104K	MYLAR	0.10UF	K
C411_412			CQ93FMG1H154J	MYLAR	0.15UF	J
C413_414			CK73FB1H152K	CHIP C	1500PF	K
C417_418			CE04KW1H010M	ELECTRO	1.0UF	50WV
C419_420			CE04KW1H4R7M	ELECTRO	4.7UF	50WV
C421-428			CE04KW1H010M	ELECTRO	1.0UF	50WV

L : Scandinavia K : USA P : Canada R : Mexico C : China I : Malaysia  
Y : PX(Far East,Hawaii) T : England E : Europe G : Germany V : China(Shanghai)  
Y : AAFES(Europe) X : Australia Q : Russia H : Korea M : Other Areas  $\Delta$  indicates safety critical components .



\* New Parts  
Parts without **Parts No.** are not supplied.  
Les articles non mentionnés dans le **Parts No.** ne sont pas fournis.  
Teile ohne **Parts No.** werden nicht geliefert.

5

Ref. No	Address	New Parts	Parts No.	Description	Destination	Remarks
C429,430			CK73FB1H681K	CHIP C	680PF	K
C441,442			CC45FSL1H470J	CERAMIC	47PF	J
C443-445			CK73FB1H221K	CHIP C	220PF	K
C561,562			CC73ECH1H271J	CHIP C	270PF	J
C563,564			CE04KW1H2R2M	ELECTRO	2.2UF	50WV
C565,566			CK73EB1H272K	CHIP C	2700PF	K
C567,568			CK73EB1H682K	CHIP C	6800PF	K
C569			CK73EB1E223K	CHIP C	0.022UF	K
C570			CE04KW1H2R2M	ELECTRO	2.2UF	50WV
C571-573			CK73EB1E223K	CHIP C	0.022UF	K
C615,616			CK73EB1H102K	CHIP C	1000PF	K
C617			CE04KW1H2R2M	ELECTRO	2.2UF	50WV
C700			CE04KW1V330M	ELECTRO	33UF	35WV
C701			CE04KW1A221M	ELECTRO	220UF	10WV
C702			CE04KW1V330M	ELECTRO	33UF	35WV
C703			CK73EB1E223K	CHIP C	0.022UF	K
C704			CE04KW1H470M	ELECTRO	47UF	50WV
C705			CC73ECH1H150J	CHIP C	15PF	J
C706			CC73ECH1H180J	CHIP C	18PF	J
C707			CE04KW1H3R3M	ELECTRO	3.3UF	50WV
C708			CE04KW1E470M	ELECTRO	47UF	25WV
C709			CK73EB1H102K	CHIP C	1000PF	K
C710			CK73FB1H101K	CHIP C	100PF	K
C711			CK73FB1C103K	CHIP C	0.010UF	K
C712			CE04KW1V101M	ELECTRO	100UF	35WV
C713			CE04KW1H220M	ELECTRO	22UF	50WV
C715,716			CK73EB1H102K	CHIP C	1000PF	K
C717			CE04KW1E470M	ELECTRO	47UF	25WV
C718			CK73EB1H102K	CHIP C	1000PF	K
C801			CK73EB1H472K	CHIP C	4700PF	K
C802,803			CQ93FMG1H104K	MYLAR	0.10UF	K
C805,806			CQ93FMG1H473J	MYLAR	0.047UF	J
C808-810			CE04KW1H221M	ELECTRO	220UF	50WV
C811,812			CE04KW1H470M	ELECTRO	47UF	50WV
C813			CE04KW1V101M	ELECTRO	100UF	35WV
C815			CE04KW1V222M	ELECTRO	2200UF	35WV
C816			CQ93FMG1H104K	MYLAR	0.10UF	K
C817			CK45FB1H101K	CERAMIC	100PF	K
C818			CQ93FMG1H473J	MYLAR	0.047UF	J
C820			CE04KW1E221M	ELECTRO	220UF	25WV
C849			CQ93FMG1H102J	MYLAR	1000PF	J
C852			CQ93FMG1H102J	MYLAR	1000PF	J
C853			CE04KW1C472M	ELECTRO	4700UF	16WV
C872			CK73EB1H473K	CHIP C	0.047UF	K
C873			CE04KW1C471M	ELECTRO	470UF	16WV
C874,875			CK73EB1H104K	CHIP C	0.10UF	K
C876			CE04KW0J102M	ELECTRO	1000UF	6.3WV
C901,902			CK45FB1H681K	CERAMIC	680PF	K
C903,904			CC45FCH1H150J	CERAMIC	15PF	J
C905,906			CE04KW1C220M	ELECTRO	22UF	16WV
C907,908			CK45FB1H223Z	CERAMIC	0.022UF	Z
C909,910			CE04KW1H101M	ELECTRO	100UF	50WV
C911,912			CE04KW1H100M	ELECTRO	10UF	50WV
C913-916			CQ93FMG1H224J	MYLAR	0.22UF	J
C917			CE04KW1H470M	ELECTRO	47UF	50WV

L : Scandinavia K : USA P : Canada R : Mexico C : China I : Malaysia  
Y : PX(Far East,Hawaii) T : England E : Europe G : Germany V : China(Shanghai)  
Y : AAFES(Europe) X : Australia Q : Russia H : Korea M : Other Areas  $\Delta$  indicates safety critical components.

\* New Parts  
Parts without **Parts No.** are not supplied.  
Les articles non mentionnés dans le **Parts No.** ne sont pas fournis.  
Teile ohne **Parts No.** werden nicht geliefert.

6

Ref. No	Address	New Parts	Parts No.	Description	Destination	Remarks
C920-927			CK45FB1H223Z	CERAMIC	0.022UF	Z
C928,929			CK45FB1H102K	CERAMIC	1000PF	K
C933,934			CK45FB1H102K	CERAMIC	1000PF	K
C935,936			CE04KW1HR22M	ELECTRO	0.22UF	50WV
C937,938			CC73ECH1H820J	CHIP C	82PF	J
C940			CE04KW1HR22M	ELECTRO	0.22UF	50WV
C954,955			CE04KW1H332M	ELECTRO	3300UF	50WV
C971			CE04KW1H470M	ELECTRO	47UF	50WV
C972			CE04KW1H100M	ELECTRO	10UF	50WV
C980			CE04KW1H0R1M	ELECTRO	0.1UF	50WV
C981,982			CK45FB1H221K	CERAMIC	220PF	K
CT21			CE04KW1A470M	ELECTRO	47UF	10WV
CT22			CK73EB1E223K	CHIP C	0.022UF	K
CT22			CK73EB1E223K	CHIP C	0.022UF	K
CT23			CC73ECH1H220J	CHIP C	22PF	J
CT24			CE04KW1C100M	ELECTRO	10UF	16WV
CT25			CC73ECH1H220J	CHIP C	22PF	J
CT26			CK73EB1H561K	CHIP C	560PF	K
CT26			CK73EB1H561K	CHIP C	560PF	K
CT26 ,27			CK73EB1E223K	CHIP C	0.022UF	K
CT27,28			CK73EB1E223K	CHIP C	0.022UF	K
CT29 ,30			CK73EB1E223K	CHIP C	0.022UF	K
CT31 ,32			CE04KW1A470M	ELECTRO	47UF	10WV
VD301		*	C02-0303-08	VARICAP(AM)	VHCSVC348S/-1T	
BI8		*	E40-8932-08	FLAT CABLE CON	QCNCWN1923AWZZ	
BI11		*	E35-0000-08	WIRE HARNESS	QCNCWN1842AWZZ	
BI801		*	E35-0000-08	WIRE HARNESS6P	QCNCWN1952AWZZ	
BI901		*	E40-0000-08	WIRE HARNESS13P	QCNCWN1951AWZZ	
BI905		*	E35-2997-08	WIRE HARNESS	QCNCWN1919AWZZ	
CNP1		*	E40-8920-08	PIN ASSY	QCNCM704GAWZZ	
CNS1A/B		*	E40-8917-08	WIRE HARNESS(7)	QCNCWN1537AWZZ	
CNP2		*	E40-8921-08	PIN ASSY	QCNCM704HAWZZ	
CNS2A/B		*	E40-8915-08	WIRE HARNESS(6)	QCNCWN1539AWZZ	
CNP3		*	E40-8381-08	PIN ASSY	CONE6P53253	
CNP3A		*	E40-8918-08	PIN ASSY	CONE6P53254	
CNS3A/B		*	E40-8914-08	WIRE HARNESS(8)	QCNCWN1538AWZZ	
CNP4		*	E40-8922-08	PIN ASSY	QCNCM705FAFZZ	
CNS4		*	E40-8916-08	WIRE HARNESS(6)	QCNCWN1572AWZZ	
CNP7		*	E40-8918-08	PIN ASSY	CONE6P53254	
CNP8		*	E40-8919-08	PIN ASSY	CONE9P53254	
CNP101		*	E40-8264-08	PIN ASSY	QCNCM705CAFZZ	
CNP302		*	E40-8933-08	MLX 2P	CONE2P5268	
CNP701		*	E35-3000-08	PIN ASSY	QCNCWZX20AWZZ	
CNS701		*	E40-8930-08	PIN ASSY(FFC)	QCNCWZY20AWZZ	
CNS702		*	E40-8929-08	PIN ASSY(FFC)	QCNCWZY10AWZZ	
CNP801		*	E40-0000-08	CON 13P	CONEDP5267X	
CNP901		*	E40-8381-08	PIN ASSY	CONE6P53253	
CNP902		*	E40-8381-08	PIN ASSY	CONE6P53253	
CNP905		*	E40-8381-08	PIN ASSY	CONE6P53253	
CNS902		*	E40-8931-08	WIRE HARNESS	QCNCW015CAWZZ	
FW701A/B		*	E35-0000-08	WIRE HARNESS(4P)	QCNCWN1954AWZZ	
FW951		*	E11-0942-08	PHONE JACK	QJAKM0004AWZZ	
JK981		*	E70-0145-08	FM ANT	QTANC0105AWZZ	
SO301		*	E70-0145-08	FM ANT	QTANC0105AWZZ	
SO401		*	E63-1219-08	PIN JACK	QSOCJ0224AWZZ	

L : Scandinavia K : USA P : Canada R : Mexico C : China I : Malaysia  
Y : PX(Far East,Hawaii) T : England E : Europe G : Germany V : China(Shanghai)  
Y : AAFES(Europe) X : Australia Q : Russia H : Korea M : Other Areas  $\Delta$  indicates safety critical components.

PARTS LIST

RXD-355

\* New Parts  
 Parts without **Parts No.** are not supplied.  
 Les articles non mentionnés dans le **Parts No.** ne sont pas fournis.  
 Teile ohne **Parts No.** werden nicht geliefert.

①

Ref. No	Add-ress	New Parts	Parts No.	Description	Desti-nation	Re-marks
SO801		*		? QSOCE0008AWZZ		
SO901		*	E70-0000-08	LOCK TERMINAL QTANA0417AWZZ		
△ F801,802		*	F50-0000-08	FUSE(5X20)4A250 QFS-D402DAWNI		
△ F803,804		*	F50-0192-08	FUSE(5X20)2A250 QFS-D202DAWNI		
FH801-808		*	J19-6238-08	HOLDER(FUSE) QFSDH0001AWZZT		
CF301,302		*	L72-0641-08	CERAMIC FILTER RFILF0072AFZZ		
CF351		*	L79-1287-08	LINE FILTER RFILF0003AWZZT		
CF352		*	L79-1286-08	LINE FILTER RFILA0009AWZZ		
L1		*	L90-0387-08	COIL VP-XHR82K0000T		
L101,102		*	L90-0390-08	COIL VP-MK2R2K0000T		
L104		*	L90-0389-08	COIL VP-MK331K0000T		
L341		*	L90-0390-08	COIL VP-MK2R2K0000T		
L342		*	L90-0388-08	COIL VP-DH101K0000T		
L351		*				
L354		*				
L700		*	L90-0388-08	COIL VP-DH101K0000T		
L920,921		*	L39-1342-08	COIL RCILZ0137AFZZ		
LT21 ,22		*	L90-0390-08	COIL		
T303		*	L31-0661-08	FM-RF COIL RCILA0052AWZZ		
T306		*	L32-1039-08	OSC COIL(AM) RCILB0067AWZZ		
T351		*	L30-0985-08	IFT COIL(AM) RCIL10019AWZZ		
T801		*		POWER TRANS		
X351		*	L77-2351-08	CRYSTAL RESONA CRSTL1425A		
X352		*	L77-2352-08	CRYSTAL RESONA RCRSP0019AWZZ		
XL1		*	L78-0739-08	RESONATOR RCRM-0041AWZZT		
XL700			L77-2230-08	CRYSTAL RESONA RCRSP0003AWZZ		
XT21						
R11			RK73EB2B103J	CHIP R 10K J 1/8W		
R12			RK73EB2B331J	CHIP R 330 J 1/8W		
R13 -17			RK73EB2B102J	CHIP R 1.0K J 1/8W		
R23			RK73EB2B221J	CHIP R 220 J 1/8W		
R24 ,25			RK73EB2B222J	CHIP R 2.2K J 1/8W		
R26 ,27			RK73EB2B103J	CHIP R 10K J 1/8W		
R39 ,40			RK73EB2B681J	CHIP R 680 J 1/8W		
R41			RK73EB2B123J	CHIP R 12K J 1/8W		
R42			RK73EB2B122J	CHIP R 1.2K J 1/8W		
R43			RK73EB2B101J	CHIP R 100 J 1/8W		
R45 ,46			RK73EB2B471J	CHIP R 470 J 1/8W		
R47 ,48			RK73EB2B101J	CHIP R 100 J 1/8W		
R101 ,102			RK73EB2B103J	CHIP R 10K J 1/8W		
R103			RK73EB2B472J	CHIP R 4.7K J 1/8W		
R104,105			RK73EB2B102J	CHIP R 1.0K J 1/8W		
R106,107			RK73EB2B222J	CHIP R 2.2K J 1/8W		
R108,109			RK73EB2B332J	CHIP R 3.3K J 1/8W		
R110			RK73EB2B473J	CHIP R 47K J 1/8W		
R111,112			RK73EB2B472J	CHIP R 4.7K J 1/8W		
R113			RK73EB2B473J	CHIP R 47K J 1/8W		
R118,119			RK73EB2B104J	CHIP R 100K J 1/8W		
R120,121			RK73EB2B392J	CHIP R 3.9K J 1/8W		
R122-125			RK73EB2B562J	CHIP R 5.6K J 1/8W		
R126			RK73EB2B683J	CHIP R 68K J 1/8W		
R127,128			RK73EB2B682J	CHIP R 6.8K J 1/8W		

L : Scandinavia K : USA P : Canada R : Mexico C : China I : Malaysia  
 Y : P(X)(Far East,Hawaii) T : England E : Europe G : Germany V : China(Shanghai)  
 Y : AAFES(Europe) X : Australia Q : Russia H : Korea M : Other Areas △ indicates safety critical components .

\* New Parts  
 Parts without **Parts No.** are not supplied.  
 Les articles non mentionnés dans le **Parts No.** ne sont pas fournis.  
 Teile ohne **Parts No.** werden nicht geliefert.

②

Ref. No	Add-ress	New Parts	Parts No.	Description	Desti-nation	Re-marks
R129,130			RK73EB2B472J	CHIP R 4.7K J 1/8W		
R131,132			RK73EB2B152J	CHIP R 1.5K J 1/8W		
R133,134			RK73EB2B101J	CHIP R 100 J 1/8W		
R135,136			RK73EB2B103J	CHIP R 10K J 1/8W		
R137			RK73EB2B153J	CHIP R 15K J 1/8W		
R141			RK73EB2B103J	CHIP R 10K J 1/8W		
R144			RK73EB2B473J	CHIP R 47K J 1/8W		
R146			RN14BK2H82R0F	RN 82 F 1/2W		
R147			RK73EB2B473J	CHIP R 47K J 1/8W		
R148			RK73EB2B223J	CHIP R 22K J 1/8W		
R301			RK73EB2B000J	CHIP R 0 J 1/8W		
R323			RK73EB2B683J	CHIP R 68K J 1/8W		
R336			RK73EB2B103J	CHIP R 10K J 1/8W		
R344			RK73EB2B471J	CHIP R 470 J 1/8W		
R345			RK73EB2B472J	CHIP R 4.7K J 1/8W		
R346			RK73EB2B331J	CHIP R 330 J 1/8W		
R347			RK73EB2B150J	CHIP R 15 J 1/8W		
R347			RK73EB2B682J	CHIP R 6.8K J 1/8W		
R348			RK73EB2B681J	CHIP R 680 J 1/8W		
R349			RK73EB2B330J	CHIP R 33 J 1/8W		
R351			RK73EB2B562J	CHIP R 5.6K J 1/8W		
R352			RK73EB2B102J	CHIP R 1.0K J 1/8W		
R353			RK73EB2B271J	CHIP R 270 J 1/8W		
R355			RK73EB2B332J	CHIP R 3.3K J 1/8W		
R356			RK73EB2B102J	CHIP R 1.0K J 1/8W		
R359			RK73EB2B182J	CHIP R 1.8K J 1/8W		
R360			RK73EB2B472J	CHIP R 4.7K J 1/8W		
R361,362			RK73EB2B222J	CHIP R 2.2K J 1/8W		
R365			RK73EB2B103J	CHIP R 10K J 1/8W		
R372-374			RK73EB2B102J	CHIP R 1.0K J 1/8W		
R376			RK73EB2B102J	CHIP R 1.0K J 1/8W		
R377			RK73EB2B473J	CHIP R 47K J 1/8W		
R378			RK73EB2B102J	CHIP R 1.0K J 1/8W		
R379			RK73EB2B222J	CHIP R 2.2K J 1/8W		
R380			RK73EB2B152J	CHIP R 1.5K J 1/8W		
R381			RK73EB2B103J	CHIP R 10K J 1/8W		
R383			RK73EB2B562J	CHIP R 5.6K J 1/8W		
R385			RK73EB2B562J	CHIP R 5.6K J 1/8W		
R388			RK73EB2B392J	CHIP R 3.9K J 1/8W		
R393			RK73EB2B102J	CHIP R 1.0K J 1/8W		
R395			RK73EB2B473J	CHIP R 47K J 1/8W		
R399			RK73EB2B330J	CHIP R 33 J 1/8W		
R401,402			RK73EB2B331J	CHIP R 330 J 1/8W		
R403,404			RK73EB2B392J	CHIP R 3.9K J 1/8W		
R407,408			RK73EB2B222J	CHIP R 2.2K J 1/8W		
R415,416			RK73EB2B392J	CHIP R 3.9K J 1/8W		
R417,418			RK73EB2B103J	CHIP R 10K J 1/8W		
R421,422			RK73EB2B153J	CHIP R 15K J 1/8W		
R424			RK73EB2B474J	CHIP R 470K J 1/8W		
R425			RK73EB2B223J	CHIP R 22K J 1/8W		
R429-431			RK73EB2B682J	CHIP R 6.8K J 1/8W		
R561			RK73EB2B103J	CHIP R 10K J 1/8W		
R562			RK73EB2B824J	CHIP R 820K J 1/8W		
R565			RK73EB2B333J	CHIP R 33K J 1/8W		
R566			RK73EB2B224J	CHIP R 220K J 1/8W		

L : Scandinavia K : USA P : Canada R : Mexico C : China I : Malaysia  
 Y : P(X)(Far East,Hawaii) T : England E : Europe G : Germany V : China(Shanghai)  
 Y : AAFES(Europe) X : Australia Q : Russia H : Korea M : Other Areas △ indicates safety critical components .

\* New Parts  
Parts without **Parts No.** are not supplied.  
Les articles non mentionnés dans le **Parts No.** ne sont pas fournis.  
Teile ohne **Parts No.** werden nicht geliefert.



Ref. No	Add-ress	New Parts	Parts No.	Description	Desti-nation	Re-marks
R567			RK73EB2B683J	CHIP R 68K J 1/8W		
R568			RK73EB2B224J	CHIP R 220K J 1/8W		
R569			RK73EB2B104J	CHIP R 100K J 1/8W		
R570			RK73EB2B123J	CHIP R 12K J 1/8W		
R571			RK73EB2B394J	CHIP R 390K J 1/8W		
R572			RK73EB2B104J	CHIP R 100K J 1/8W		
R573			RK73EB2B563J	CHIP R 56K J 1/8W		
R574			RK73EB2B105J	CHIP R 1,0M J 1/8W		
R575			RK73EB2B474J	CHIP R 470K J 1/8W		
R576			RK73EB2B225J	CHIP R 2,2M J 1/8W		
R577			RK73EB2B154J	CHIP R 150K J 1/8W		
R578			RK73EB2B104J	CHIP R 100K J 1/8W		
R580			RK73EB2B184J	CHIP R 180K J 1/8W		
R613,614			RK73EB2B331J	CHIP R 330 J 1/8W		
R615,616			RK73EB2B222J	CHIP R 2,2K J 1/8W		
R619			RK73EB2B223J	CHIP R 22K J 1/8W		
R704-706			RK73EB2B102J	CHIP R 1,0K J 1/8W		
R731			RK73EB2B103J	CHIP R 10K J 1/8W		
R739-745			RK73EB2B102J	CHIP R 1,0K J 1/8W		
R747			RK73EB2B101J	CHIP R 100 J 1/8W		
R750			RK73EB2B225J	CHIP R 2,2M J 1/8W		
R752			RK73EB2B103J	CHIP R 10K J 1/8W		
R756-759			RK73EB2B103J	CHIP R 10K J 1/8W		
R760			RK73EB2B104J	CHIP R 100K J 1/8W		
R761			RK73EB2B102J	CHIP R 1,0K J 1/8W		
R762			RK73EB2B104J	CHIP R 100K J 1/8W		
R763			RK73EB2B102J	CHIP R 1,0K J 1/8W		
R764			RK73EB2B104J	CHIP R 100K J 1/8W		
R765			RK73EB2B102J	CHIP R 1,0K J 1/8W		
R766-770			RK73EB2B103J	CHIP R 10K J 1/8W		
R771			RK73EB2B102J	CHIP R 1,0K J 1/8W		
R774			RK73EB2B103J	CHIP R 10K J 1/8W		
R776-780			RK73EB2B103J	CHIP R 10K J 1/8W		
R786			RK73EB2B222J	CHIP R 2,2K J 1/8W		
R789			RK73EB2B100J	CHIP R 10 J 1/8W		
R811			RD14BB2H3R3J	RD 3,3 J 1/2W		
R813			RD14BB2H3R3J	RD 3,3 J 1/2W		
R816			RD14BB2H182J	RD 1,8K J 1/2W		
R903			RK73EB2B821J	CHIP R 820 J 1/8W		
R907,908		*	VRS-VV3AAR10J			
R916,917			RD14BB2H4R7J	RD 4,7 J 1/2W		
R918,919		*	R92-4565-08	FUSE R 100 J 1/4W		
R921,922			RS14GB3D3R9J	FL-PROOF RS 3,9 J 2W		
R923,924			RS14GB3D5R6J	FL-PROOF RS 5,6 J 2W		
R926,927			RD14BB2H680J	RD 68 J 1/2W		
R931,932			RK73EB2B102J	CHIP R 1,0K J 1/8W		
R935,936			RK73EB2B104J	CHIP R 100K J 1/8W		
R951,952			RD14BB2H331J	RD 330 J 1/2W		
R978-981		*	R92-4566-08	FL-PROOF RS 0,22 J 3W		
R982			RD14BB2H4R7J	RD 4,7 J 1/2W		
RD01			RK73EB2B681J	CHIP R 680 J 1/8W		
RD02			RK73EB2B821J	CHIP R 820 J 1/8W		
RD03			RK73EB2B102J	CHIP R 1,0K J 1/8W		
RD04			RK73EB2B681J	CHIP R 680 J 1/8W		
RD05			RK73EB2B821J	CHIP R 820 J 1/8W		

L : Scandinavia K : USA P : Canada R : Mexico C : China I : Malaysia  
Y : PX(Far East,Hawaii) T : England E : Europe G : Germany V : China(Shanghai)  
Y : AAFES(Europe) X : Australia Q : Russia H : Korea M : Other Areas  $\Delta$  indicates safety critical components .

\* New Parts  
Parts without **Parts No.** are not supplied.  
Les articles non mentionnés dans le **Parts No.** ne sont pas fournis.  
Teile ohne **Parts No.** werden nicht geliefert.



Ref. No	Add-ress	New Parts	Parts No.	Description	Desti-nation	Re-marks
RD06			RK73EB2B102J	CHIP R 1,0K J 1/8W		
RD07			RK73EB2B152J	CHIP R 1,5K J 1/8W		
RD08			RK73EB2B222J	CHIP R 2,2K J 1/8W		
RD09			RK73EB2B681J	CHIP R 680 J 1/8W		
RD10			RK73EB2B821J	CHIP R 820 J 1/8W		
RD11			RK73EB2B102J	CHIP R 1,0K J 1/8W		
RD12			RK73EB2B152J	CHIP R 1,5K J 1/8W		
RD13			RK73EB2B222J	CHIP R 2,2K J 1/8W		
RD15			RK73EB2B392J	CHIP R 3,9K J 1/8W		
RD16			RK73EB2B562J	CHIP R 5,6K J 1/8W		
RD17			RK73EB2B103J	CHIP R 10K J 1/8W		
RD18			RK73EB2B183J	CHIP R 18K J 1/8W		
RT21			RK73EB2B103J	CHIP R 10K J 1/8W		
RT24			RK73EB2B563J	CHIP R 56K J 1/8W		
RT25			RK73EB2B103J	CHIP R 10K J 1/8W		
RT26			RK73EB2B563J	CHIP R 56K J 1/8W		
RT27-30			RK73EB2B102J	CHIP R 1,0K J 1/8W		
RT31			RK73EB2B103J	CHIP R 10K J 1/8W		
RT32			RK73EB2B682J	CHIP R 6,8K J 1/8W		
VR701		*	R32-0106-08	VR(JOG) QSW-Z0013AWZZ		
RL951		*	S76-0125-08	MAGNETIC RELAY RRLYD0014AWZZ		
SW701-721			S70-0091-08	TACT SWITCH SWICH1401AT		
D1,D2			1SS133	DIODE VHDDS1SS133-1T		
D101,102			1SS133	DIODE VHDDS1SS133-1T		
D513-516			1SS133	DIODE VHDDS1SS133-1T		
D706-711			1SS133	DIODE VHDDS1SS133-1T		
D717,718			1SS133	DIODE VHDDS1SS133-1T		
D801-808			1N404S	DIODE VHDDS1N404S-1T		
D809			TS6B04GM	DIODE VHDTS6B04GM-1		
D831			1SS133	DIODE VHDDS1SS133-1T		
D833			1SS133	DIODE VHDDS1SS133-1T		
D851			1SS133	DIODE VHDDS1SS133-1T		
D872-875			1N404S	DIODE VHDDS1N404S-1T		
D876			1SS133	DIODE VHDDS1SS133-1T		
D901,902			1SS133	DIODE VHDDS1N404S-1T		
D903						
D951						
IC1		*	LC78645E	MI-COM IC VHILC78645E-1		
IC2		*	M63001FP	MOS-IC VHIM63001FP-1		
IC101			AN7345K	MOS-IC VHIAN7345K/-1		
IC302			LC72131	MOS-IC VHILC72131/-1		
IC303		*	LA1832S	MOS-IC VHILA1832S/-1		
IC304			LC72723	IC		
IC401		*	LC75341	MOS-IC VHILC75341/-1		
IC561,562			KIA4558P	ANALOGUE IC VHIKIA4558P-1		
IC700		*	IX0451	MI-COM IC RH-IX0451AWZZ		
IC811			KIA7805AP	IC		
IC812			KIA7810AP	IC		
IC852			AN78L05	IC(VOLTAGE REGULATOR/ +5V)		
IC901			STK40270N	IC		
Q1			KTA1266GR	TRANSISTOT VSKTA1266GR-1T		
Q2			KTC3203Y	TRANSISTOR VSKTC3203Y/-1T		
Q3			KRC102M	TRANSISTOR VSKRC102M/-1T		
Q101			KTA1266GR	TRANSISTOT VSKTA1266GR-1T		

L : Scandinavia K : USA P : Canada R : Mexico C : China I : Malaysia  
Y : PX(Far East,Hawaii) T : England E : Europe G : Germany V : China(Shanghai)  
Y : AAFES(Europe) X : Australia Q : Russia H : Korea M : Other Areas  $\Delta$  indicates safety critical components .

PARTS LIST

RXD-355

\* New Parts  
 Parts without **Parts No.** are not supplied.  
 Les articles non mentionnés dans le **Parts No.** ne sont pas fournis.  
 Teile ohne **Parts No.** werden nicht geliefert.

Ref. No	Add-ress	New Parts	Parts No.	Description	Desti-nation	Re-marks
Q102,103			KRC104M	TRANSISTOR		
Q104-107			2SC1845F	TRANSISTOR		
Q108-111			KTC3199GR	TRANSISTOR		
Q112			2SA1015GR	TRANSISTOR		
Q113			KRC104M	TRANSISTOR		
Q114			KTC3203Y	TRANSISTOR		
Q301			KTC3194Y	TRANSISTOR		
Q401,402			KTC3199GR	TRANSISTOR		
Q603,604			KTC3199GR	TRANSISTOR		
Q700			KRC102M	TRANSISTOR		
Q703			KTA1273Y	TRANSISTOR		
Q704,705			KTA1271Y	TRANSISTOR		
Q706-708			KTC3199GR	TRANSISTOR		
Q709			KRC102M	TRANSISTOR		
Q712			KRC102M	TRANSISTOR		
Q801			KTA1274Y	TRANSISTOR		
Q813			KTC2026	TRANSISTOR		
Q875			KTC2026	TRANSISTOR		
Q901,902			KTC3199GR	TRANSISTOR		
Q903,904			KTC3199GR	TRANSISTOR		
Q951			KRC107M	TRANSISTOR		
Q971			KTC3203Y	TRANSISTOR		
QT21			KTC3199GR	TRANSISTOR		
ZD1			MTZJ3R3B	ZENER DIODE		
ZD2			MTZJ3R9B	ZENER DIODE		
ZD561			MTZJ6R2B	ZENER DIODE		
ZD801			MTZJ30B	ZENER DIODE		
ZD802			MTZJ6R2B	ZENER DIODE		
ZD803			MTZJ11B	ZENER DIODE		
ZD810			MTZJ2R4B	ZENER DIODE		
ZD871			MTZJ2R4B	ZENER DIODE		
ZD904			MTZJ13B	ZENER DIODE		
FE301			W02-0000-08	FRONT END		
RX701			W02-2689-08	OPTICAL MODULE		
				VHLC63H380A-1		
1	2A		D13-1869-08	GEAR		
2	2A		D13-1870-08	GEAR		
5	2A		G13-2515-08	GUSHION		
6	2A		T25-0115-08	OPTICAL PICKUP		
24	1A		D02-0000-08	TURNTABLE		
32	2B		D16-0776-08	BELT		
34	3B		J39-1037-08	SPACER		
35	1A		T99-0656-08	MAGNET		
38	2A		J39-1036-08	SPACER		
39	2A,3A		D14-0818-08	ROLLER		
40	3B		D10-5013-08	LEVER(STOP)		
41	2A		D32-0370-08	STOPPER		
42	3B		D10-5012-08	LEVER(LOCK)		
43	1A		J19-6229-08	STABILIZER		
45	2A		D19-0329-08	PIN(LOCK)		
46	2B		F09-0162-08	CAP		
47	2A		D13-2565-08	GEAR		
48	2A		D13-2559-08	GEAR		
49	2A		D13-2561-08	GEAR		

L : Scandinavia    K : USA    P : Canada    R : Mexico    C : China    I : Malaysia  
 Y : PX(Far East,Hawaii)    T : England    E : Europe    G : Germany    V : China(Shanghai)  
 Y : AAFES(Europe)    X : Australia    Q : Russia    H : Korea    M : Other Areas    ⚠ indicates safety critical components .

\* New Parts  
 Parts without **Parts No.** are not supplied.  
 Les articles non mentionnés dans le **Parts No.** ne sont pas fournis.  
 Teile ohne **Parts No.** werden nicht geliefert.

Ref. No	Add-ress	New Parts	Parts No.	Description	Desti-nation	Re-marks
50	2A		D13-2563-08	GEAR		PT0309508
51	2A		D13-2560-08	GEAR		PT0309509
52	2B		D15-0445-08	PULLEY(GEAR)		PT0309510
53	2A		D13-2562-08	GEAR		PT0309511
54	2B		D10-5014-08	LEVER(CLAMP)		PT0311101
55	2A		D10-5015-08	LEVER(DISC )		PT0311102
56	2A		D13-2564-08	GEAR(CAM)		PT0312005
57	1A		J19-6227-08	HOLDER		PT0320201
60	3A		J99-0834-08	TRAY(SLIDE)		PT0331003
62	2A		G01-4278-08	SPRING(STOP)		SP0304303
63	3B		G01-4277-08	SPRING(LOCK)		SP0304305
64	2A		G01-4279-08	SPRING		SP0304306
66	1A		D19-0330-08	METAL PLATE		MT0304302
AL	2A		N09-5335-08	MACHINE SCREW		LX-BZ2222AXZZ
AM	3A		N09-5332-08	MACHINE SCREW		SC0308MBZI
AR			N19-1526-08	FLAT WASHER		LX-WZ1070AFZZ
DM	2A		D40-0000-08	MOTOR ASSY		MMTR1651B
FM	2A		T42-1114-08	MOTOR ASSY		MMTR1854A
M3	2B		T41-0140-08	MOTOR ASSY		TWMEN7E6Y

L : Scandinavia    K : USA    P : Canada    R : Mexico    C : China    I : Malaysia  
 Y : PX(Far East,Hawaii)    T : England    E : Europe    G : Germany    V : China(Shanghai)  
 Y : AAFES(Europe)    X : Australia    Q : Russia    H : Korea    M : Other Areas    ⚠ indicates safety critical components .